

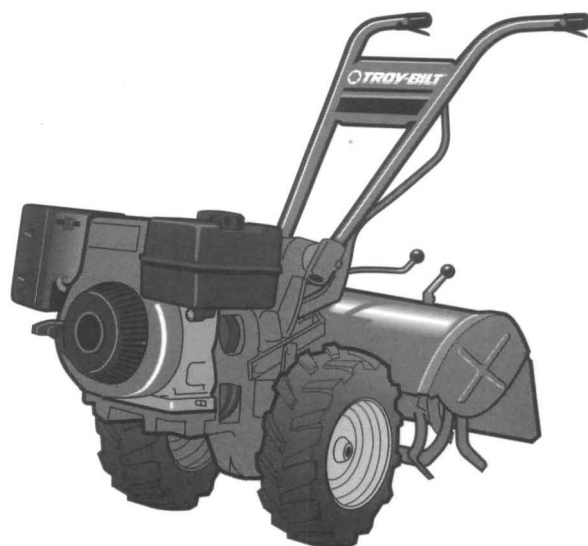


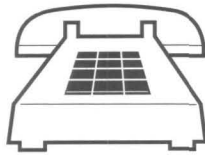
Parts Catalog

PTO HORSE Tiller

Models

12068	12088
12069	12088C
12070	12089
12071	12089C
12087	12090
12087C	12090C





**HOW TO
REACH
US**



Address	Hours	Toll-Free Telephone Numbers
<p>In the U.S.A:</p> <p>Garden Way Incorporated 102nd Street & 9th Avenue Troy, New York 12180</p>	<p>Mon.-Fri.: 8 a.m. to 7:00 p.m. Sat. 9 a.m. to 4 p.m.</p>	<p>For Parts Sales: 1-800-648-6776 For Technical Service: 1-800-520-5520</p>
<p>In Canada:</p> <p>Garden Way Incorporated 320 Van Sickle Road, Unit 12 St. Catharines, Ontario L2R 6P7</p>	<p>Mon.-Fri.: 8 a.m. to 5:00 p.m.</p>	<p>For Parts Sales or Technical Service: 1-800-225-3585</p>



CAUTION

We urge that you use only genuine TROY-BILT[®] replacement parts, which meet all of the latest requirements. Replacement parts manufactured by others could present safety hazards even though they may fit on this product.

PARTS ORDERING INFORMATION

Parts for your machine may be ordered from your local servicing dealer or directly from the Factory (see factory address and phone numbers on page at left). Please remember that we or your local dealer will need to know the identification numbers of your machine to give you the most efficient service. Please see below for how to identify and record the identification numbers for your machine.

When ordering parts, please be sure to provide the following information:

1. The SERIAL NUMBER of your machine.
2. The PART NUMBER of the part.
3. The PART DESCRIPTION.
4. The QUANTITY needed.

If you need engine service or parts:

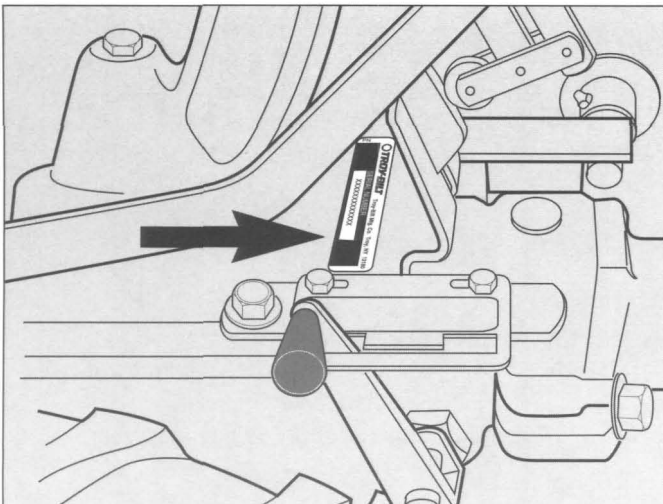
For engine service or parts, please contact your local authorized engine dealer. Look in the Yellow Pages of your phone book under "Engines-Gasoline" for the name of your nearest authorized engine dealer. An authorized dealer can handle all parts, repairs, and warranty service concerning the engine. NOTE: Some parts on your engine are exclusive to this machine and may not be available from the engine dealer. Refer to the engine drawings in this Parts Catalog to identify and order these exclusive parts.

IDENTIFICATION NUMBERS

Please write the Model and Serial Numbers of your machine in the spaces provided below. You can find the location of these numbers by referring to the following illustration.

Model Number: _____

Serial Number: _____

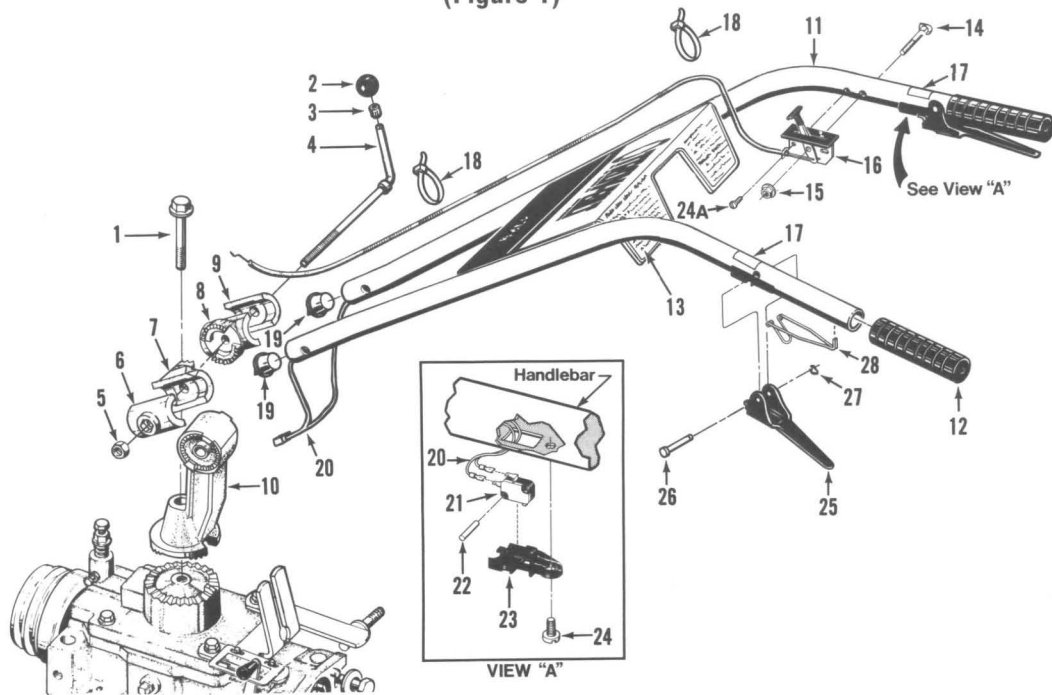


All references to left, right, front and rear of the machine are determined by standing in the operator's position and facing the direction of forward travel.

IMPORTANT:

Some replacement parts that you receive may vary slightly in shape, color, or texture from the original parts. This is because certain parts are supplied to us by more than one manufacturer. Please be assured, however, that all parts must conform to our rigid quality specifications, and any slight variations will not affect the fit or performance of these parts.

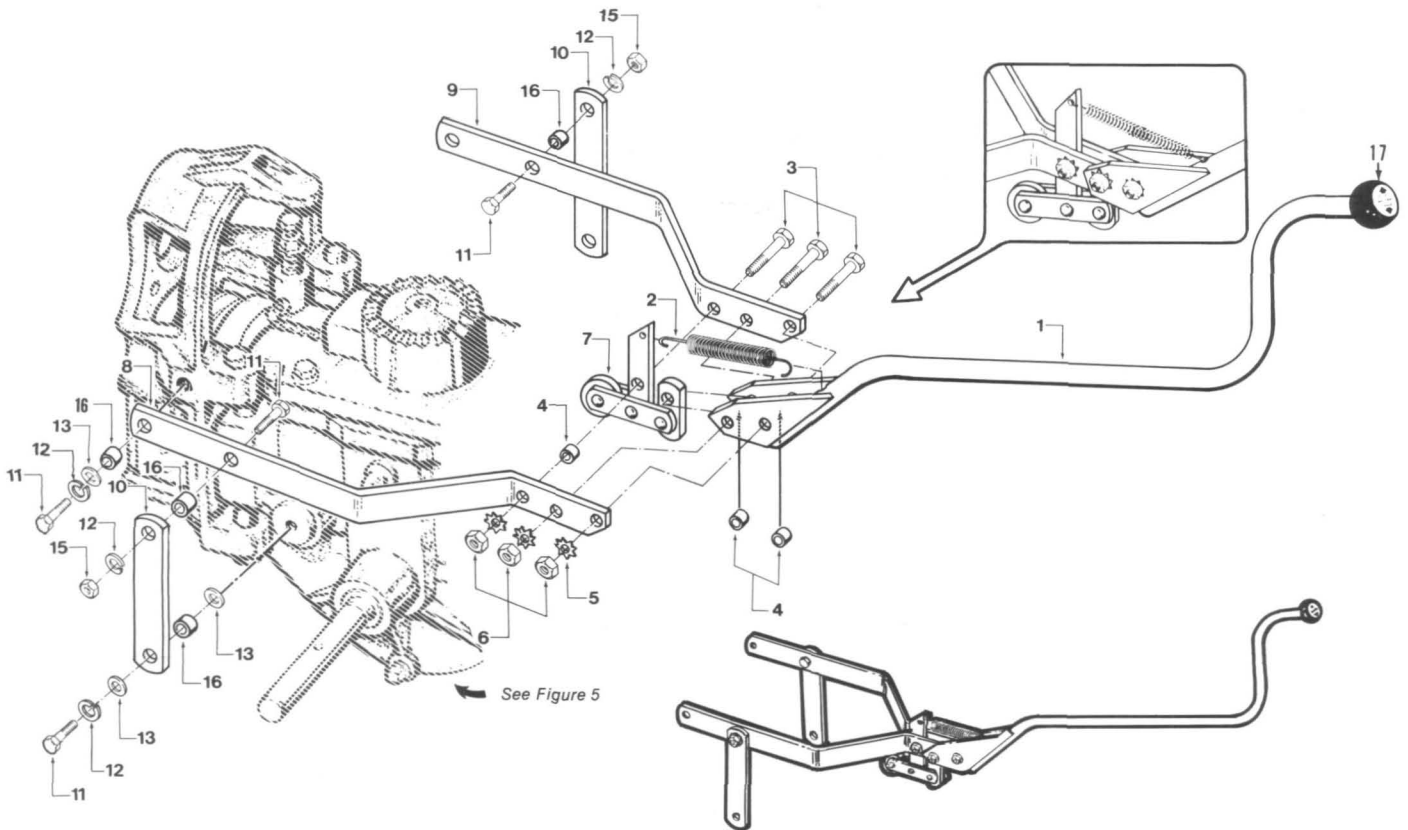
HANDLEBAR ASSEMBLY
(Figure 1)



REF No.	PART No.	DESCRIPTION	QTY.
1	9548	Bolt-Hex hd., flanged self-locking Grade 5, 1/2-13 x 3-1/2"	1
2	9119	Knob-handlebar height adjustment (Incl. Ref. No. 3)	1
3	9120	Ring-retaining (tolerance ring).....	1
4	1881	Stud-handlebar height adjustment (Incl. Ref. No.'s 2, 3 and 5)	1
5	9803	Nut-hex, 1/2"-13.....	1
6	1900854010	Clamp-left, handlebar height adjustment	1
7	1900856010	Ratchet-left, handlebar height adjustment	1
8	1900857010	Ratchet-right, handlebar height adjustment	1
9	1900855010	Clamp-right, handlebar height adjustment	1
10	1900858010	Base-handlebar mounting	1
11	2704	Handlebars-(Includes two of each Ref. Nos. 12, 17 and 28 and one Ref. No. 13).....	1
12	9125	Grip-handlebars	2
13	2715	Decal-operator control panel.....	1
14	9547	Bolt-curved hd, GR5, 1/4-20 x 2" ..	1
15	9844	Nut-hex, flanged self-locking, whiz lock, 1/4"-20.....	1

REF No.	PART No.	DESCRIPTION	QTY.
16	9444	Throttle Control & Cable-7HP Briggs & Stratton engine only (also see Ref. No. 24A)	1
16A	1909286	Throttle Control & Cable-8HP Briggs & Stratton engine only (also see Ref. No. 24A)	1
16B	9650	Throttle Control & Cable-8HP Kohler engine only	1
17	1900763	Decal-Forward Interlock Lever	2
18	9202	Tie-plastic	2
19	9219	Plug-wire harness retainer	2
20	2551	Handlebar Wire Harness Assy-forward interlock system	1
21	9250	Handlebar Switch-forward interlock system	2
22	9385	Lock Pin-handlebar switch.....	2
23	2543	Switch Housing-handlebar switch.	2
24	90039	Screw-pan head, 10-24 x 1/2", thread-forming	2
24A	9733	Screw-phillips head, 10-32 x 1/2", thread-forming	1
25	2546	Lever-forward interlock.....	2
26	9199	Pivot Pin-forward interlock lever...	2
27	9514	Retaining Ring-clip ring-forward interlock lever.....	2
28	9387	Return Spring-fwd interlock lever.	2

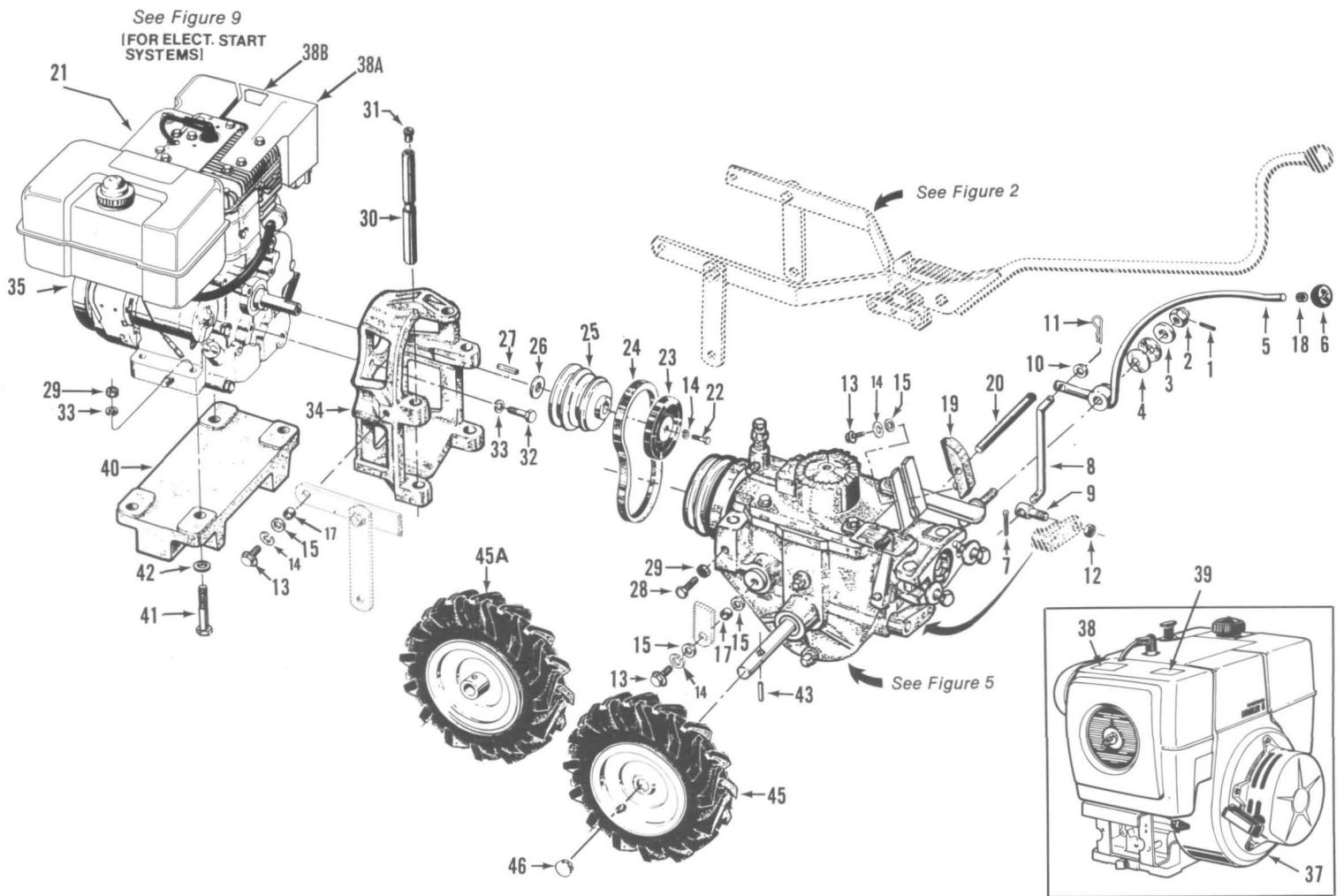
WHEELS/TINES/PTO DRIVE LEVER & YOKE ASSEMBLY
(Figure 2)



REF No.	PART No.	DESCRIPTION	QTY.
1	2574	Lever—Wheels/Tines/PTO Drive (Incl. knob w/decal)	1
2	1908156	Spring—clutch pawl	1
3	9466	Bolt—hex hd., 5/16-18 x 1-1/2"	3
4	2447	Bushing—3/8"	3
5	9919	Lockwasher—external tooth, 5/16"	3
6	9801	Nut—hex, 5/16"-18	3
7	2232	Roller Assembly	1
8	1900468010	Yoke—left side	1
9	1900469010	Yoke—right side	1

REF No.	PART No.	DESCRIPTION	QTY.
10	1900860010	Link—yoke pivot, left & right, 6-7/8" long	2
11	1100046	Bolt—hex hd., 3/8-16 x 1"	6
12	9913	Lockwasher—spring lock, 3/8"	6
13	9904	Washer—flat, 3/8", S.A.E.	6
14	---	This Ref. No. not used	
15	9802	Nut—hex, 3/8"-16	2
16	1113-1	Bushing—spacer, 19/64" (.300")	6
17	---	Knob—not avail. separately. See Ref No. 1	

WHEEL SPEED LEVER, BELT DRIVE SYSTEM, ENGINES, WHEELS (Figure 3)

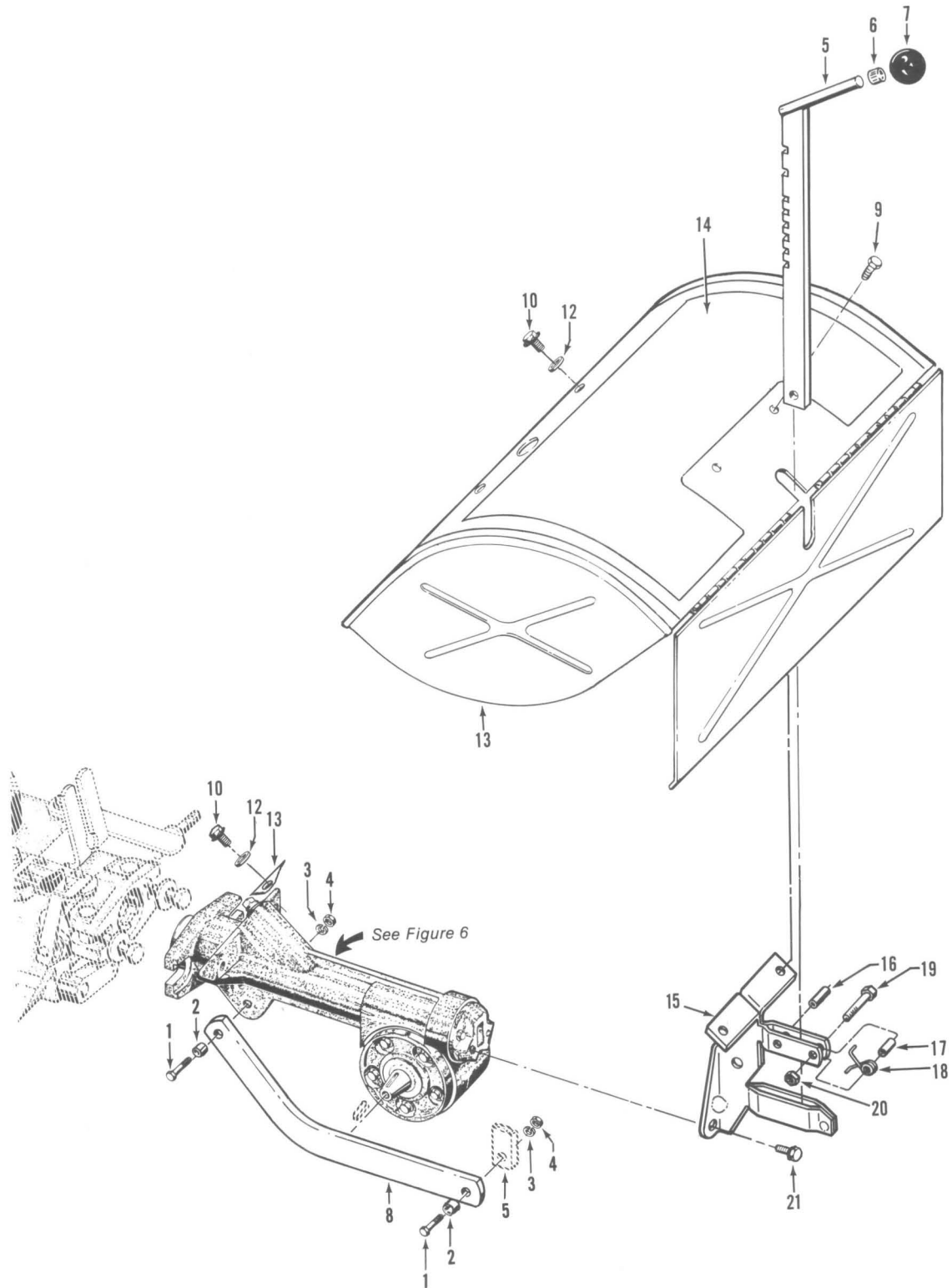


REF No.	PART No.	DESCRIPTION	QTY.	REF No.	PART No.	DESCRIPTION	QTY.
WHEEL SPEED LEVER				30	1034	Bar-engine mounting	2
1	9362	Pin-spring, 1/8"	1	31	9147	Plug-thread protector, red plastic	2
2	9838	Nut-castle (slotted), 1/2"-20	1	32	9572	Bolt-hex hd., 5/16-24 x 1-1/8"	4
3	9934	Washer-shoulder, 1/2"	1	33	9912	Lockwasher-spring lock, 5/16"	6
4	9932	Washer-disc spring	2	34	2565	Mount-engine to tiller	1
5	2628	Lever-wheel speed shift (incl. Ref No.'s 6 and 18)	1	35	*	7HP Briggs & Stratton Engine-Recoil or electric start. (Electric start requires key switch starting system.)	1
6	1902240	Knob-wheel speed shift lever	1	35	*	8HP Briggs & Stratton Engine-Recoil or electric start. (Electric start requires key switch starting system.)	1
7	9317	Pin-cotter, 3/32" x 1"	1	37	*	8HP Kohler Magnum Engine-recoil start.	1
8	1231	Rod-connecting rod, wheel speed shift lever	1	37	*	8HP Kohler Magnum Engine-electric start. Requires key switch starting system.	1
9	1033	Swivel-connecting rod	1	38A	1909064001	Muffler Guard	1
10	9902	Washer-flat, 5/16", S.A.E.	1	38B	1902750	Decal-hot surface safety warning...	2
11	9338	Pin-hair cotter	1	39	1900767	Decal-engine stabilization, for Kohler engines	1
12	9808	Locknut-hex hd., 5/16"-18	1	40	2522	Engine Weight-for Briggs & Stratton engines only	1
13	1100046	Bolt-flanged hex hd., 3/8-16 x 1"	5	41	9966	Bolt-hex hd., 5/16-18 x 2-1/4", Grade 5	2
14	9913	Lockwasher-spring lock, 3/8"	5	42	20553	Spacer-zinc plated	2
15	9904	Washer-flat, 3/8", S.A.E.	7	WHEEL & TIRE ASSEMBLIES			
16	----	This Ref. No. not used		43	9322	Pin-roll, 5/16" x 1-1/2"	2
17	1113-1	Bushing-spacer, 19/64" (.300"lg.)	4	45	2709-01	**Wheel & Tire Assy- bar tread, left side, 4:80 x 8" tubeless tire with valve stem, on one-piece steel wheel.	1
18	9120	Ring-retaining (tolerance ring)	1	45A	2709-02	**Wheel & Tire Assy-bar tread, right side. Same as above but for right side of tiller	1
BELT DRIVE SYSTEM				46	1902020	Cap-wheel hub	2
19	1920	Block-belt adjustment, 3-7/8" (incl. Ref. No.'s 13,15, and 20)	1				
20	2100	Rod-belt adjust., 7" with measuring gauge	1				
21	1900766	Decal-engine stabilization, for Briggs & Stratton engines					
22	9715	Bolt-hex hd., 3/8-24 x 1-1/2"	1				
23	1919	Disc-reverse, (incl. Ref. No. 19)	1				
24	9245	Belt-forward drive (no substitute due to extra strength required)	1				
25	1483	Pulley-engine power take off	1				
26	1138-1	Shim-engine pulley, 1/16" As Req'd					
26	1138-2	Shim-as above, 1/32" As Req'd					
27	9303	Key-engine pulley, 3/16"sq. x 2-1/2" 1					
ENGINES AND ENGINE MOUNT							
28	1100045	Bolt-hex hd., 5/16-18 x 1", Grade 5.	2				
29	9801	Nut-hex, 5/16"-18	4				

* Contact an authorized Troy-Bilt dealer or the Factory for replacement engine information. Contact an authorized engine dealer for engine service or parts. Refer to the engine name-plate for engine model and type information.

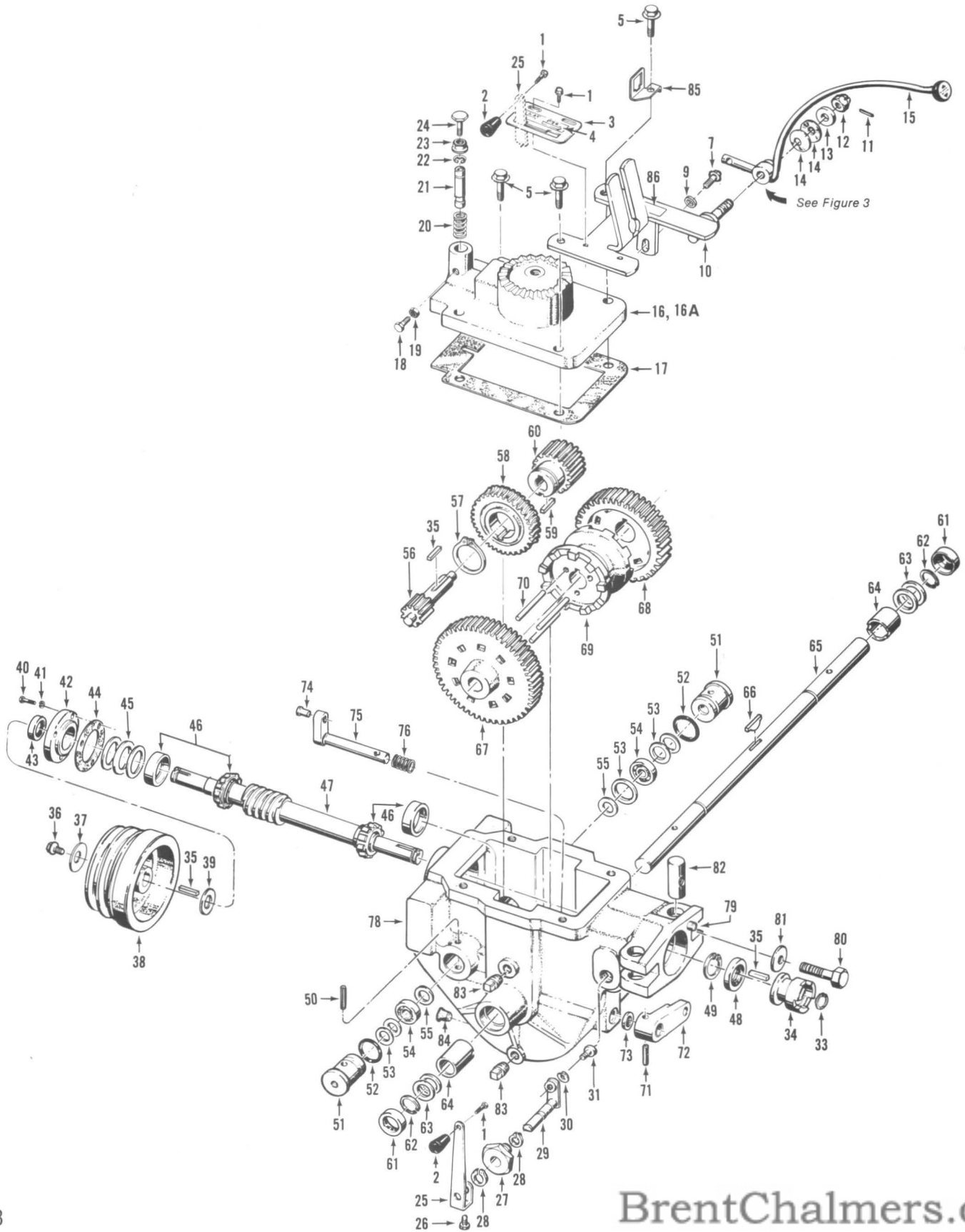
** For correct traction and directional control, Bar Tread Tires should be mounted on the tiller so the closed end of the "V" in the tire tread on top of the tire faces forward.

DEPTH REGULATOR & TINE HOOD ASSEMBLIES (Figure 4)



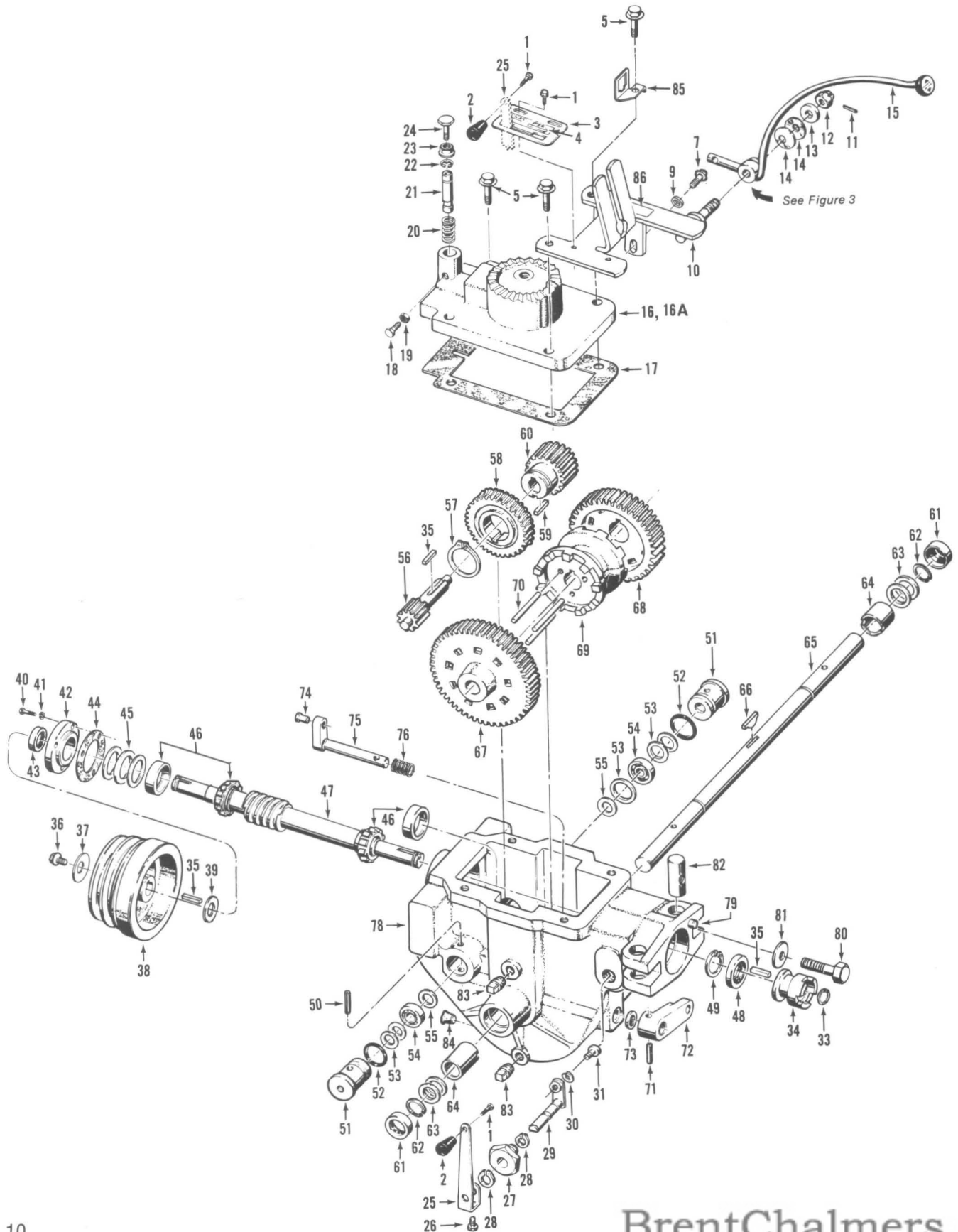
REF No.	PART No.	DESCRIPTION	QTY.	REF No.	PART No.	DESCRIPTION	QTY.
1	1100043	Bolt-hex hd., 3/8-16 x 1-1/4"	2	11	----	This Ref. No. not used	
2	1113-1	Bushing-19/64" (.300" lg.)	2	12	9929	Washer-flat, 5/16"	2
3	9913	Lockwasher-spring lock, 3/8"	2	13	2629	Hood-(incl. Ref. No. 14)	1
4	9802	Nut-hex, 3/8"-16	2	14	2719	Decal-hood, operating instructions.	
5	1117A	Bar-depth regulator (incl. Ref. No.'s 6 and 7)	1	15	2527	Bracket-(incl. Ref. No. 16)	1
6	9120	Ring-retaining	1	16	9308	Pin-roll (spiral) 1/4" x 1"	1
7	9119	Knob-depth regulator (incl. Ref. No. 6)	1	17	9534	Spacer	1
8	1900867010	Bar-drag, depth regulator	1	18	9384	Spring	1
9	9552	Screw-thread-forming, 1/4-20 x 1/2"	2	19	1100069	Bolt-hex hd., 1/4-20x1"	1
10	90044	Bolt-flanged hex hd., 5/16-18 x 3/4"	2	20	9811	Locknut-1/4"-20	1
				21	90038	Bolt-flanged hex hd., 5/16-18 x 5/8"	2

POWER UNIT TRANSMISSION ASSEMBLIES (Figure 5)



REF No.	PART No.	DESCRIPTION	QTY.	REF No.	PART No.	DESCRIPTION	QTY.
TRANSMISSION COVER & SHIFT LEVER BRACKET ASSEMBLIES				29	2461	Eccentric-shaft, tines/PTO clutch lever.....	1
1	9782	Bolt-hex hd., #10-32 x 3/8", self-locking flange.....	3	30	9911	Lockwasher-hi-collar, 1/4".....	1
2	9463	Knob-tines/PTO clutch lever, tapered, plastic.....	1	31	9672	Screw-socket hd., 1/4-20 x 3/8" ...	1
3	2263	Detent Plate-tines/PTO clutch lever (incl. Ref. No. 4).....	1	DRIVE SHAFT ASSEMBLY			
4	1900758	Decal-operating instructions, detent plate.....	1	32	----	This Ref. No. not used.....	
5	90047	Bolt-flanged hex hd., 3/8-16 x 1-1/2".....	4	33	9500	Retaining Ring-external.....	1
6	----	This Ref. No. not used.....		34	1909139	Dog Clutch-power unit.....	1
7	90044	Bolt-flanged hex hd., 5/16-18 x 3/4", Grade 5.....	1	35	9301	Key-3/16 sq. x 1".....	3
8	----	This Ref. No. not used.....		36	9655	Bolt-hex hd., 5/16-24 x 3/4", self-locking flange, Grade 5.....	1
9	9902	Washer-flat, 5/16", S.A.E.....	1	37	9944	Washer-disc spring (concave).....	1
10	1900870010	Bracket-shift levers (incl. Ref. No. 86).....	1	38	2107	Pulley-transmission drive, cast iron	1
11	9362	Pin-spring, 1/8".....	1	39	50027	Washer-flat, hardened shoulder 1-1/4".....	1
12	9838	Nut-castle (slotted), 1/2"-20, call Tech Service for tightening instructions.....	1	40	9579	Bolt-hex hd., 1/4-20 x 3/4", front bearing cap.....	3
13	9934	Washer-shoulder, 1/2".....	1	41	----	This Ref. No. not used.....	
14	9932	Washer-disc spring.....	2	42	1900879010	Cap-front bearing.....	1
15	----	Lever-wheel speed shift (see page 4, Ref. No. 5 for part number) ...	1	43	85030	Seal-oil, front bearing cap.....	1
16	1900869010	Cover-power unit transmission....	1	44	1124-2	Gasket-front bearing cap.....	1
16A	2566	Cover-power unit transmission (incl. Ref. No.'s 18,19, 20, 21, 22, 23 and 24).....	1	45	1224-1	Shim-front bearing cap, .010" thick.....	As Req'd
17	1123	Gasket-transmission cover.....	1	45	1224-2	Shim-as above, .030".....	As Req'd
18	1100045	Bolt-hex hd., 5/16-18 x 1", Grade 5, (remove with care)	1	45	1224-3	Shim-as above, .005".....	As Req'd
19	9801	Nut-hex, 5/16"-18.....	1	45	1224-4	Shim-as above, .062".....	As Req'd
20	1901439	Spring-neutral plunger (remove with care)	1	46	1714	Bearing & Cup-tapered cone roller bearing with cup (race). Cone and cup sold as set only.....	2
21	1035	Plunger-neutral (remove with care) (incl. Ref. No. 22).....	1	47	11601	Shaft-main drive, power unit. Incl. integral worm, plus two pressed-on cone roller bearings, two bearing cups and two shoulder washers.....	1
22	1901440	Clip Ring-retains neutral plunger..	1	48	9617	Seal-oil, drive shaft, rear.....	1
23	9831	Nut-hex, flange locknut, 3/8"-16...	1	49	9517	Retaining Ring-(snap ring), internal.....	1
24	1902004	Bolt-hex hd., 3/8-16x1-1/2", threaded full length.....	1	PINION SHAFT ASSEMBLY			
TINES/PTO CLUTCH LEVER ASSEMBLY				50	9309	Pin-roll (spiro), 1/4 x 2".....	2
25	1900878010	Lever-eccentric, tines/PTO clutch. (also see Ref. No.'s 1, 2,3 and 4 listed above).....	1	51	1060A	Plug-retaining, pinion bearing (incl. Ref. No. 52).....	2
26	1100804	Bolt-hex hd., 1/4-20 x 1/2".....	1	52	9604	O-Ring-retaining plug.....	2
27	2123	Bushing-tines/PTO clutch lever eccentric shaft.....	1	53	1132-1	Shim-retaining plug, 1-1/64" inner dia., .033" thick (on right side only one #1132-1 shim is also used between bearing and washer, Ref. No.'s 54 & 55).....	As Req'd
28	9516	Retaining Ring-(snap ring), external.....	2	(continued)			

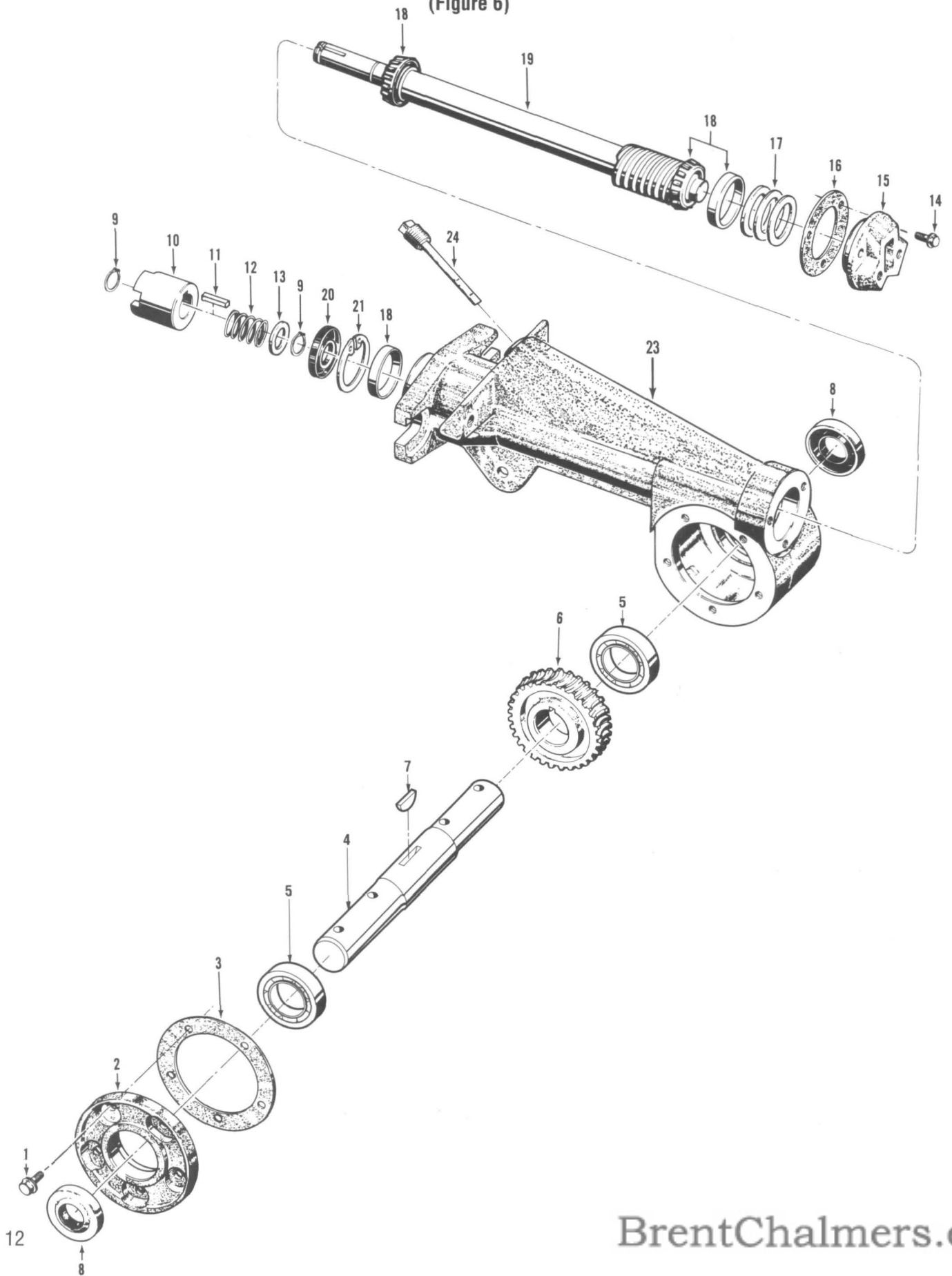
POWER UNIT TRANSMISSION ASSEMBLIES (Figure 5 Continued)



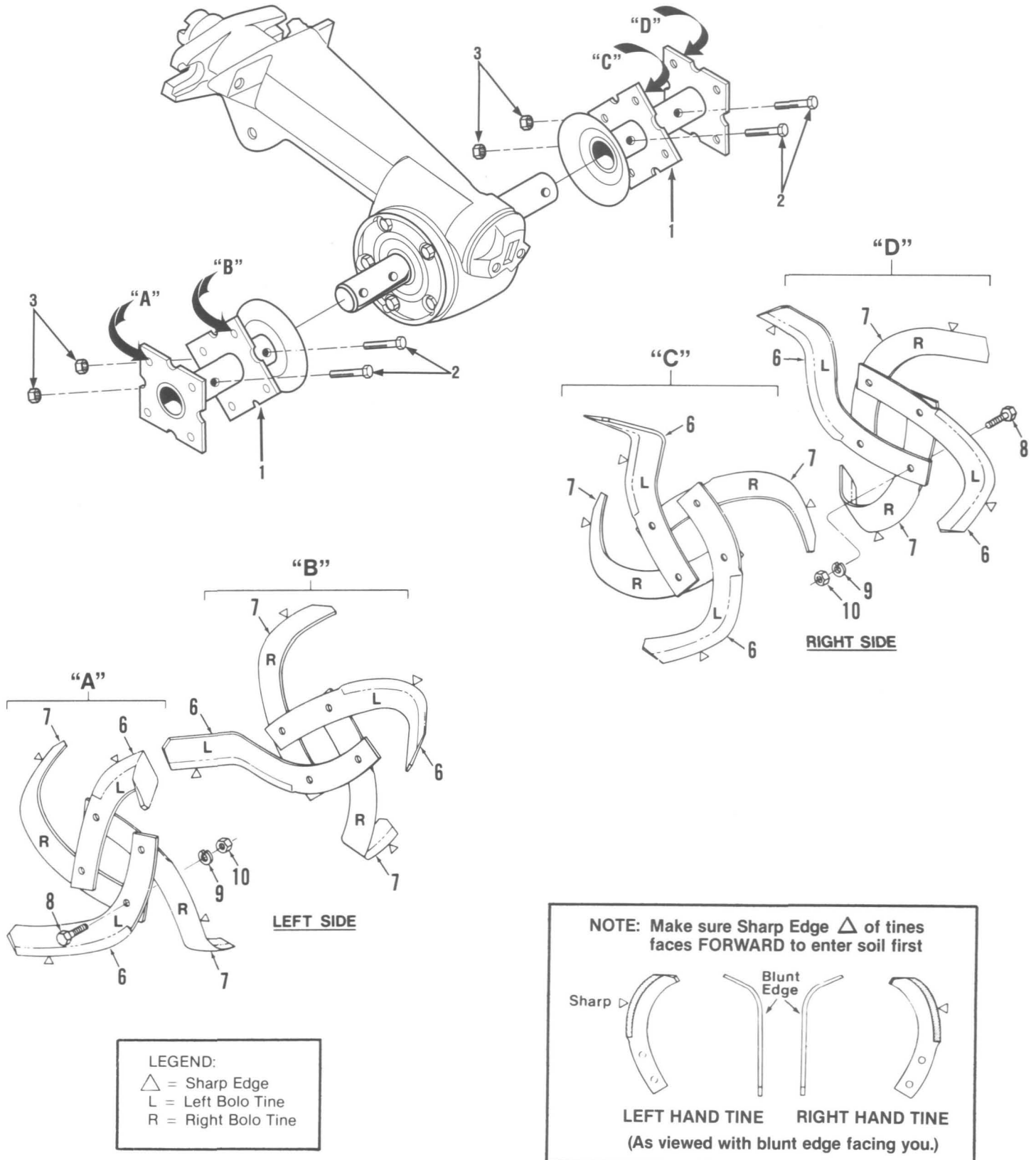
REF No.	PART No.	DESCRIPTION	QTY.
PINION SHAFT ASSEMBLY (continued)			
53	1132-2	Shim—same as 1132-1, .062"thick	As Req'd
53	1132-3	Shim—same as 1132-1, .010"	As Req'd
54	9404	Bearing—ball, pinion shaft	2
55	1126	Washer—pinion shaft	2
56	1222	Stem Pinion—slow speed gear & shaft	1
57	9502	Ring—retaining, external	1
58	2656	Worm Gear—bronze, wheel drive	1
59	9300	Key—3/16" x 5/8"	1
60	1233	Gear—fast speed pinion	1
WHEEL SHAFT ASSEMBLY			
61	9621	Seal—oil, wheel shaft	2
62	9511	Retaining ring—external	2
63	1166-1	Shim—wheel shaft, 1-1/64" inner diam.. .062" thick	As Req'd
63	1166-2	Shim—as above, .030" thick	As Req'd
63	1166-3	Shim—as above, .015" thick	As Req'd
63	1166-4	Shim—as above, .010" thick	As Req'd
63	1166-5	Shim—same as above, .005" thick	As Req'd
64	1086	Bushing—bronze, wheel shaft bearing	2
65	1878	Shaft—wheel, 15-5/8", (Incl. two of Ref. No. 62 and one Ref. No. 66)	1
66	9357	Key—Hi Pro, 1/4" x 1-3/4"	1
67	1223	Gear—slow speed, wheel drive	1
68	1232	Gear—fast speed, wheel drive	1
69	1237	Dog Clutch—wheel drive	1
70	1112	Pin—clutch guide, 1/4" diameter	3

REF No.	PART No.	DESCRIPTION	QTY.
ECCENTRIC SHAFT ASSEMBLY			
71	9307	Pin—roll, 3/16" x 1-1/4" (spirol)	1
72	1900880010	Lever—eccentric, wheel speed shifting	1
73	9622	Seal—oil, eccentric shaft	1
74	1442	Pin—eccentric shaft, wheel speed shifting	1
75	2712	Eccentric Shaft—wheel speed shifting	1
76	1441	Spring—eccentric shaft	1
77	----	This Ref. No. not used	
TRANSMISSION HOUSING			
78	2260	Housing—power unit transmission (incl. Ref. No. 79). Empty housing without covers, shafts, gears, seals, etc. Call Factory before ordering)	1
79	9359	Pin—alignment	1
MISCELLANEOUS PARTS			
80	9560	Bolt—hex hd., 1/2-13 x 2" Grade 5	2
81	9928	Washer—disc spring (concave), domed side faces bolt head	2
82	2126	Post—with threaded hole for Ref. No. 80	2
83	9726	Plug—pipe, 1/4"	2
84	9122	Plug—red plastic, thread protector	1
85	9205	Clip—forward interlock system plug connector (see page 17)	1
86	1900759	Decal—forward interlock wire harness	1

TILLER ATTACHMENT TRANSMISSION ASSEMBLIES
(Figure 6)



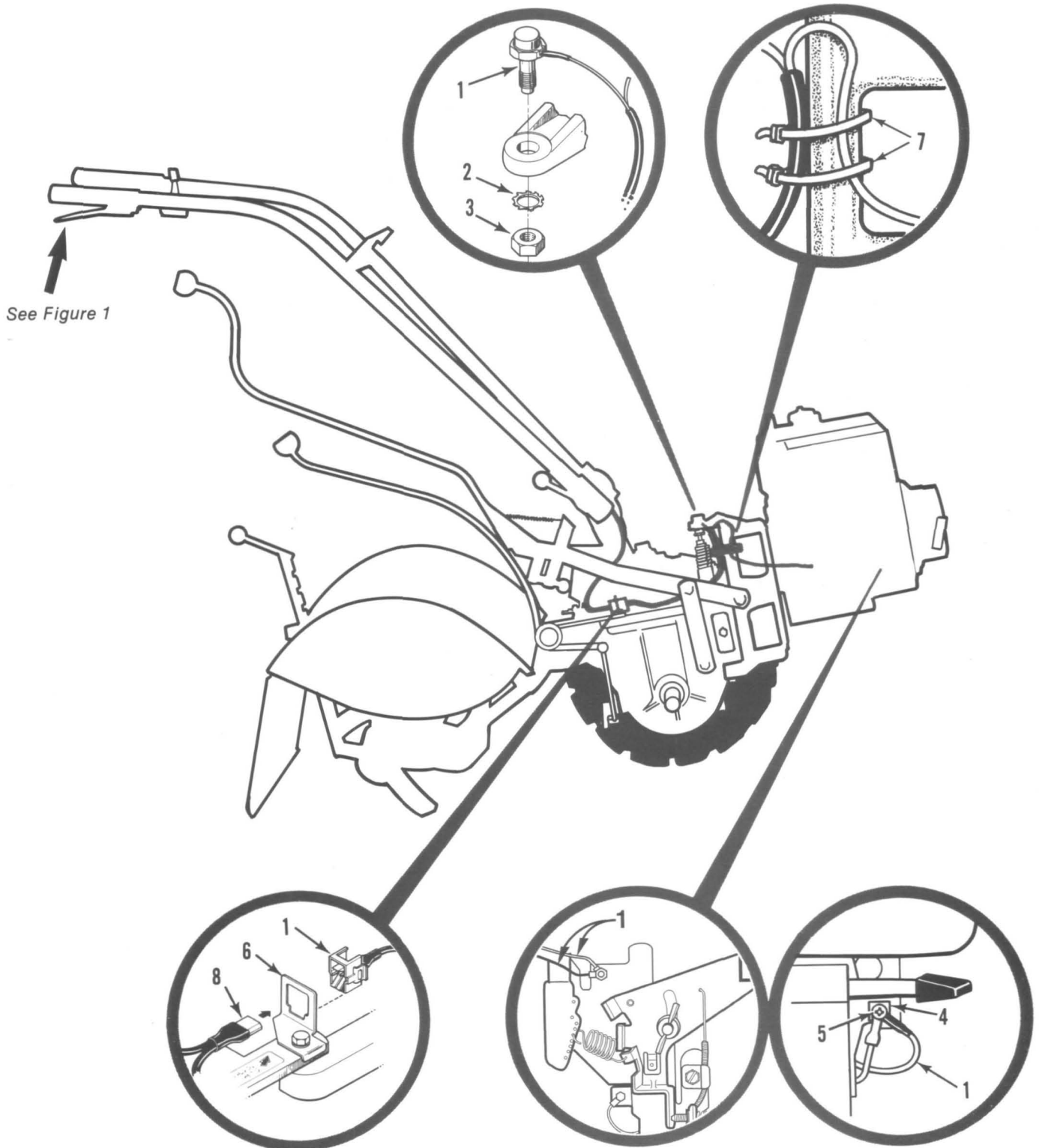
BOLO TINE ASSEMBLIES
(Figure 7)



REF No.	PART No.	DESCRIPTION	QTY.
STANDARD TILLING TINES			
1	1901975010	Tine Holder—welded steel, fits left or right sides.....	2
2	9761	Bolt—hex hd., 3/8-16 x 2".....	4
3	9807	Locknut—3/8"-16.....	4
4	----	This Ref. No. not used.....	
5	----	This Ref. No. not used.....	
6	1270-1A	Bolo Tine—single, left hand. Used on left and right side tine assy. Tine is stamped either "EL" or "AL". (Incl. two each of Ref. No.'s 8, 9 and 10).....	8
7	1270-2A	Bolo Tine—single, right hand. Used on left and right side tine assy. Tine is stamped either "ER" or "AR". (Incl. same hardware as Ref. No. 6).....	8
8	9711	Bolt—hex hd., 3/8-16 x 1".....	16
9	9913	Lockwasher—3/8".....	16
10	9802	Nut—hex, 3/8"-16.....	16
---	1901118	Tine Replacement Kit—unassembled (Incl. eight each of Ref. No.'s 6, and 7, sixteen each of Ref. No.'s 8, 9 and 10). Includes easy-to-follow installation instruction. DOES NOT INCLUDE tine holders, holder mounting hardware, or tine shaft keys.....	1

REF No.	PART No.	DESCRIPTION	QTY.
CUSTOM TILLING TINES			
Special hard-faced, high-chrome carbon alloy tines that are thicker than standard Bolo Tines. These tines better resist the abrasive action of rocky, gritty or sandy soil as compared to standard Bolo Tines, and are especially suited for custom tilling or market gardening.			
---	10802	Custom Tilling Tine Kit—(Incl. eight each of Part #2475-1 and #2475-2 tines and sixteen each of #9711 bolts and #9807 locknuts.....	1
---	2475-1	Bolo Tine, Custom Tilling—single, left hand.....	8
---	2475-2	Bolo Tine, Custom Tilling—single, right hand.....	8
---	9807	Locknut—hex, 3/8", used in place of Ref. No.'s 9 and 10 when using Custom Tilling Tines.....	16

FORWARD INTERLOCK SYSTEM (Figure 8)



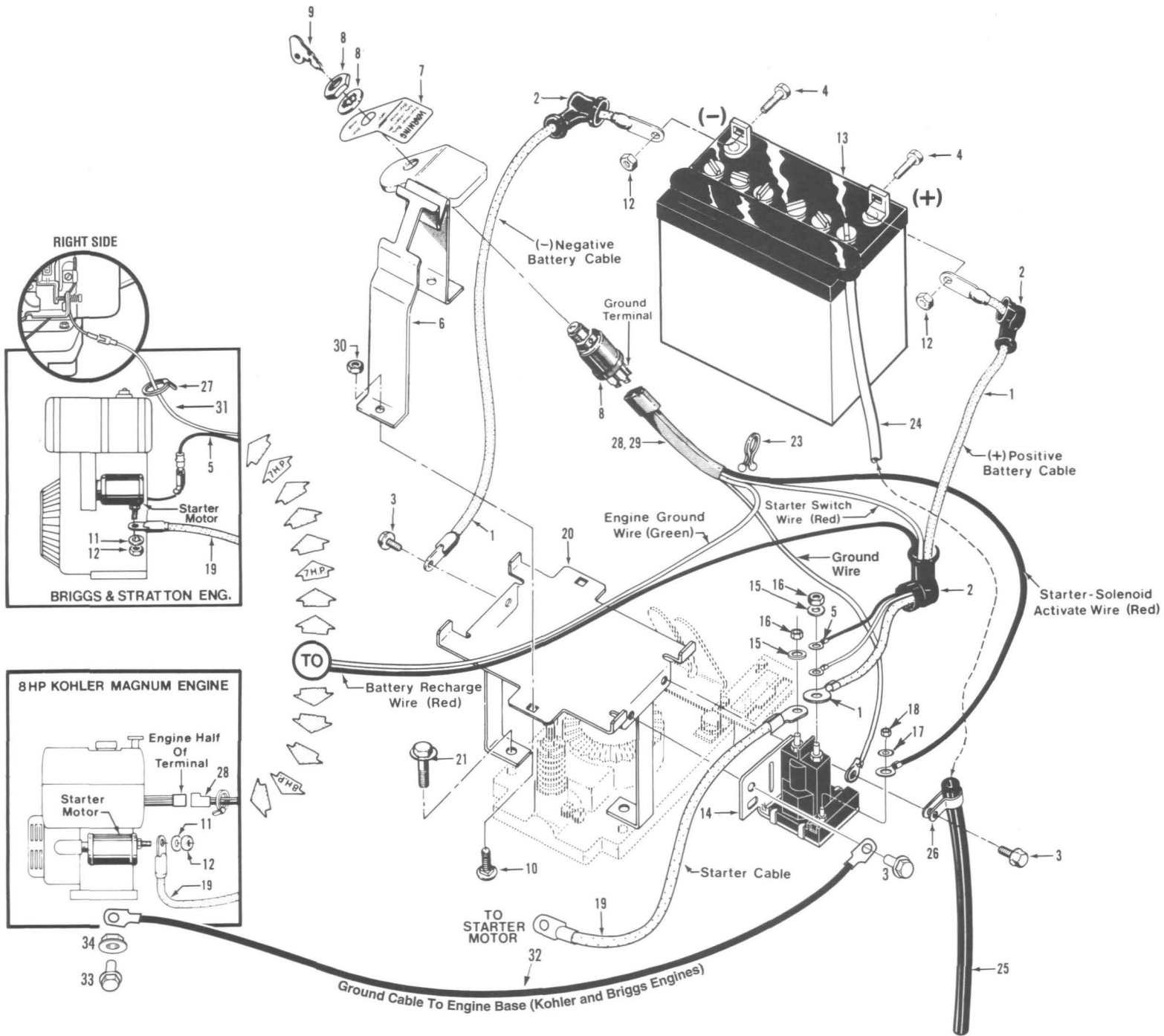
BRIGGS & STRATTON

8 HP KOHLER

REF No.	PART No.	DESCRIPTION	QTY.	REF No.	PART No.	DESCRIPTION	QTY.
1	2552	Engine Wire Harness Assy—forward interlock system (Incl. one red and one black wire, plug connector, neutral switch and PVC tubing. Parts not available separately.....	1	4	ET69-12	Grommet—for Kohler engine	1
2	9971	Lockwasher—external tooth, 7/16"	1	5	ET42-447	Screw—#8 Phillips Head, for Kohler engine	1
3	9851	Nut—hex, 7/16"-20	1	6	9205	Clip—for plug connector	1
				7	9202	Tie—plastic	1
				8	2551	Handlebar Wire Harness Assy—(see page 2, Ref. No. 20)	1

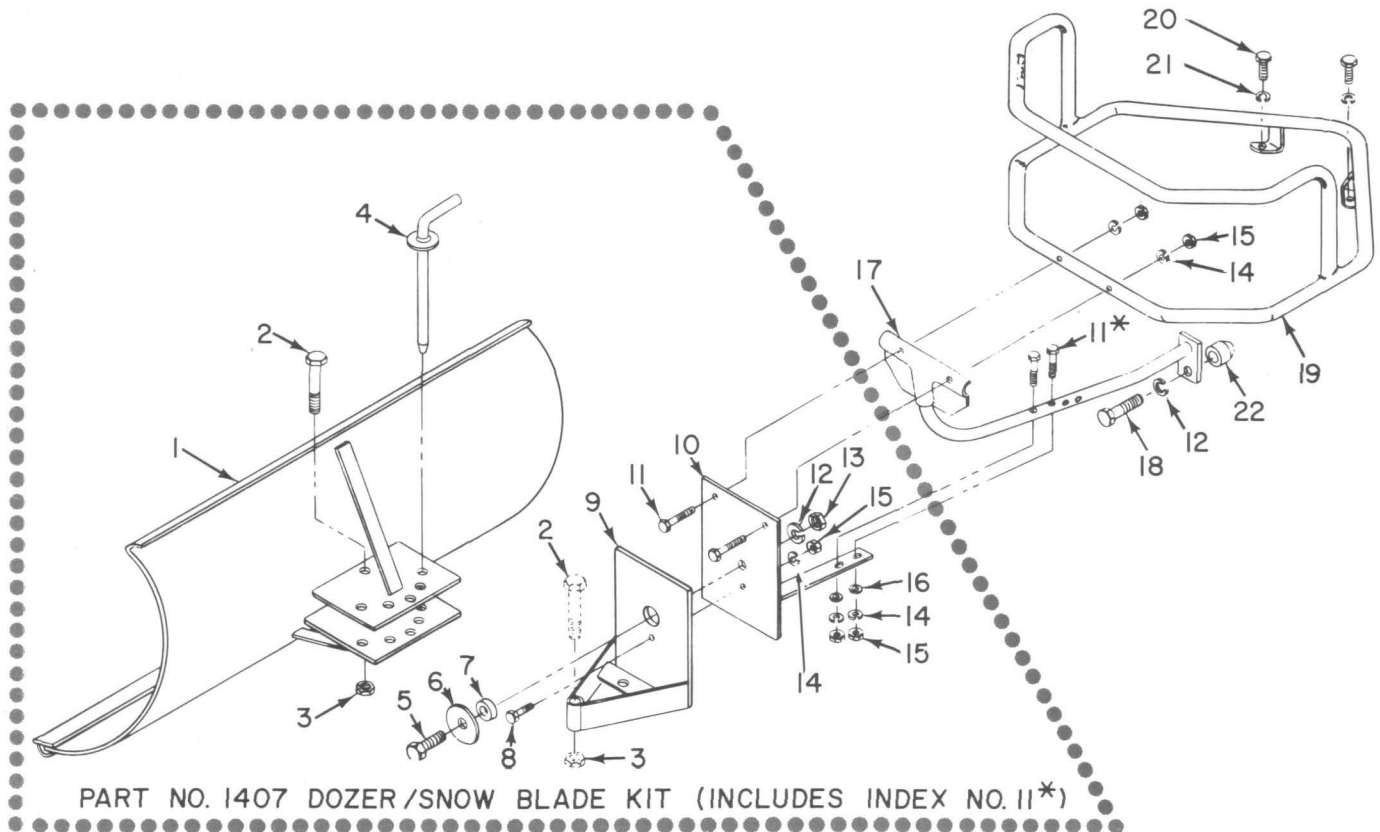
Note: Ref. No. 4 may also be obtained at a Tecumseh Engine Authorized Service Center by ordering part no. 69-12. Ref. No. 5 may also be obtained at a Tecumseh Engine Authorized Service Center by ordering part no. 42-326.

ELECTRIC START SYSTEM – 7HP & 8HP TILLERS (Figure 9)



REF No.	PART No.	DESCRIPTION	QTY.	REF No.	PART No.	DESCRIPTION	QTY.
1	96515	Cable–battery, positive and negative terminals	2	22	----	This Ref. No. not used	
2	97020	Boot–terminal insulating	3	23	9265	Tie–plastic, wire retaining	1
3	9552	Screw–self-threading, 1/4-20 x 1/2"	3	24	9009	Vent Tube–5/16" diameter	1
4	1186309	Bolt–hex hd., 1/4-20 x 5/8"	2	25	1475	Shield–vent tube, 1/2" diameter ...	1
5	1554	Wire–recharge (red) for Briggs and Stratton engine (incl. terminal and eyelet)	1	26	9224	Clamp–vent tube shield	1
6	2616	Battery Hold-down Clamp–with attached Key Switch Plate (incl. Ref. No. 7)	1	27	9202	Tie–plastic	2
7	1900944	Decal–ignition switch instruc.....	1	28	1908118	Wire Harness & Connecting Terminal Assy–for Briggs & Stratton engines(available as complete assembly only). Incl. wire assy., w/connector to large solenoid stud (red wire); wire assy. w/connector to small solenoid stud (red wire); wire assy. w/connector to solenoid grounding screw (red wire); wire assy w/connector to engine ground shut-off (green wire); plastic protector tube; wire harness; connector; wire terminal	1
8	1908112	Key Switch–includes two ignition keys (Ref. No. 9), one lockwasher, and one mounting nut (lock-washer and nut not available separately).....	1				
9	96520	Key–ignition, one pair	1				
10	9566	Bolt–carriage, 1/4-20 x 1-1/4"	2	29	1908117	Wire Harness–for Kohler engine. Incl. two receptacles; three red wires (solenoid activate, battery recharge, and starter switch); two green (ground)(shutoff) wires; plastic harness tube.....	1
11	9910	Lockwasher–spring lock, 1/4"	2				
12	9800	Nut–hex, 1/4"-20	4				
13	9092B	Battery–12 volt, 30 amps., side-vented. (incl. Ref. No. 24)	1				
14	96514	Solenoid–starter, includes nuts and washers for cables and wires...	1				
15	9912	Lockwasher–5/16"	2	30	9844	Locknut–hex, 1/4"-20	2
16	9826	Nut–hex, 5/16"-24	2	31	20421	Wire–ground	1
17	9921	Lockwasher–external tooth, #10..	1	32	1901202	Cable–ground, solenoid to engine block	1
18	9809	Nut–hex, #10-32,.....	1				
19	96510	Cable–solenoid to starter motor ..	1	33	90045	Bolt–flange lock, 5/16-18 x 1".....	1
20	2571	Battery Bracket	1	34	1186391	Nut–flange lock, 5/16"-18	1
21	90047	Bolt–flanged hex hd., 3/8-16 x 1-1/2"	2				

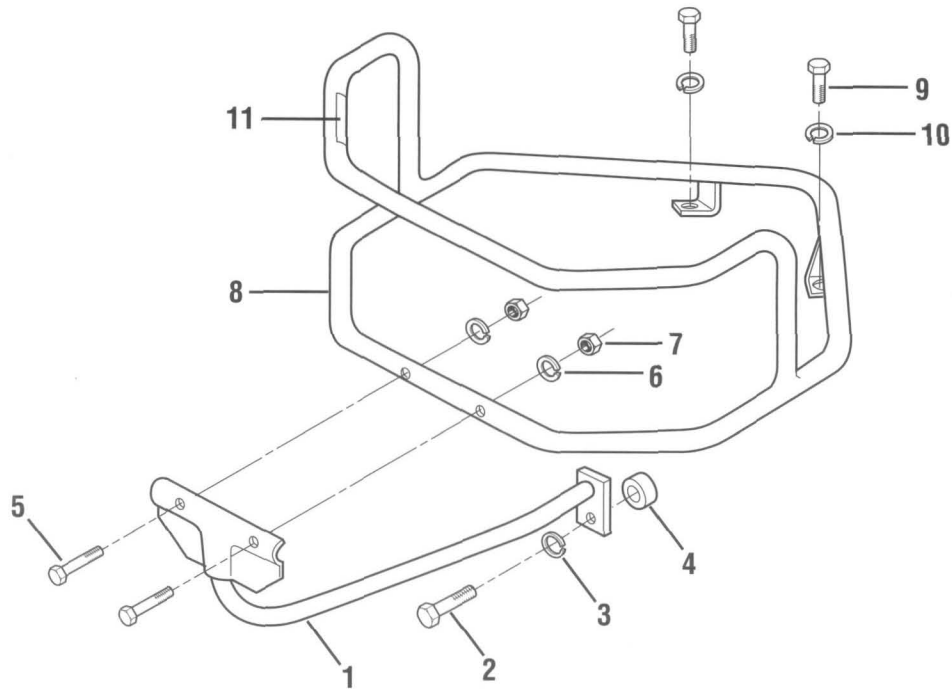
DOZER/SNOW BLADE ATTACHMENT
(Figure 10)



REF No.	PART No.	DESCRIPTION	QTY.
---	1873	Dozer/Snow Blade - (incl. Ref. No.'s 1 through 22).....	1
1	1160	Blade - dozer/snow blade	1
2	9717	Bolt - hex hd., 1/2-13 x 3"	1
3	9804	Locknut - hex, 1/2"-13	1
4	1161	Pin - index, blade angle adjust....	1
5	1100064	Bolt - hex hd., 1/2-13 x 1-1/2"	1
6	9905	Washer - plain, 1/2"	1
7	1416	Bushing	1
8	9574	Bolt - hex hd., 5/16-18 x 1-1/4" ...	1
9	1909773010	Bracket - swivel ("A" frame).....	1
10	1909774010	Bracket - dozer mounting	1
11	1100779	Bolt - hex hd., 5/16-18 x 1-3/4" ...	4
12	9914	Lockwasher - spring lock, 1/2"	2
13	9803	Nut - hex, 1/2"-13	1
14	9912	Lockwasher - spring lock 5/16" ...	5

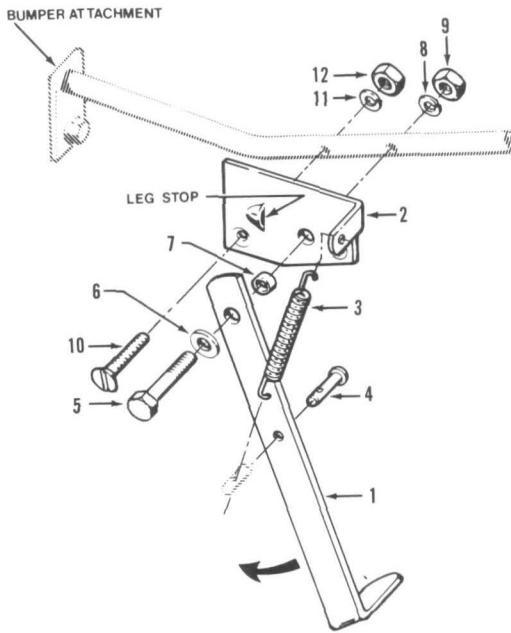
REF No.	PART No.	DESCRIPTION	QTY.
15	9801	Nut - hex, 5/16" x 18.....	5
16	9902	Washer - plain, 5/16", S.A.E.....	2
17	2659	Brace - bumper bottom (requires Ref. No. 22)	1
18	9560	Bolt - hex hd., 1/2-13 x 2"	1
19	1903668	Bumper - wraparound	1
20	1100046	Bolt - hex hd., 3/8-16 x 1"	2
21	9913	Lockwasher - spring lock, 3/8"	2
22	1909748	Spacer - for bottom brace	1
---	1407	Dozer/Snow Blade Kit-shown within dotted area in Figure 10. For those who have already purchased a bumper (see part #12562 on page 21) and want to add a dozer/snow blade. Kit incl. Ref. No.'s 1 through 16.....	1

BUMPER ATTACHMENT
(Figure 11)

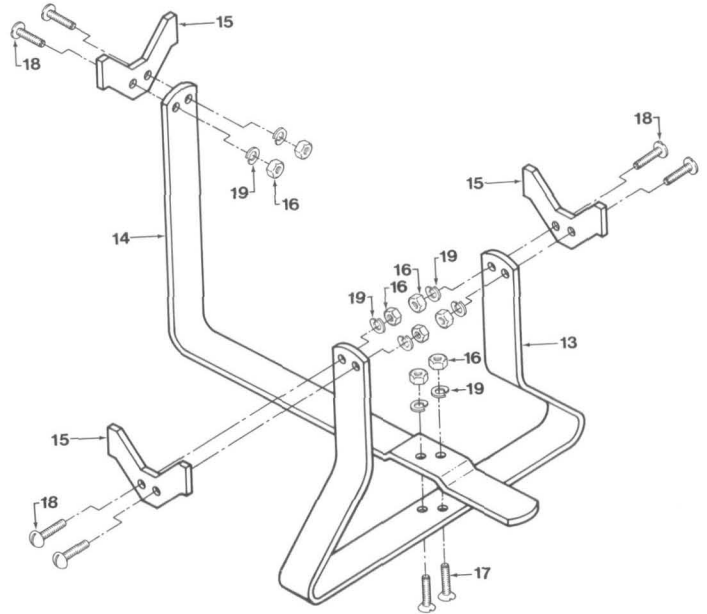


REF No.	PART No.	DESCRIPTION	QTY.	REF No.	PART No.	DESCRIPTION	QTY.
---	12562	Bumper Attachment. Includes Ref. Nos. 1 through 11)	1	6	9912	Lockwasher - spring lock, 5/16" ..	2
1	2659	Brace - bumper bottom	1	7	9801	Nut - hex, 5/16"-18	2
2	1909765	Bolt - hex hd., 1/2-13 x 1-1/2"	1	8	1903668	Bumper wraparound	1
3	9914	Lockwasher - spring lock, 1/2"	1	9	1100046	Bolt - hex hd., 3/8-16 x 1"	2
4	1909748	Spacer, 1/2"	1	10	9913	Lockwasher - spring lock, 3/8"	2
5	1100799	Bolt - hex hd., 5/16-18 x 1-1/2"	2	11	1448	Decal - for bumper	1

**KICKSTAND ATTACHMENT
(Figure 12)**



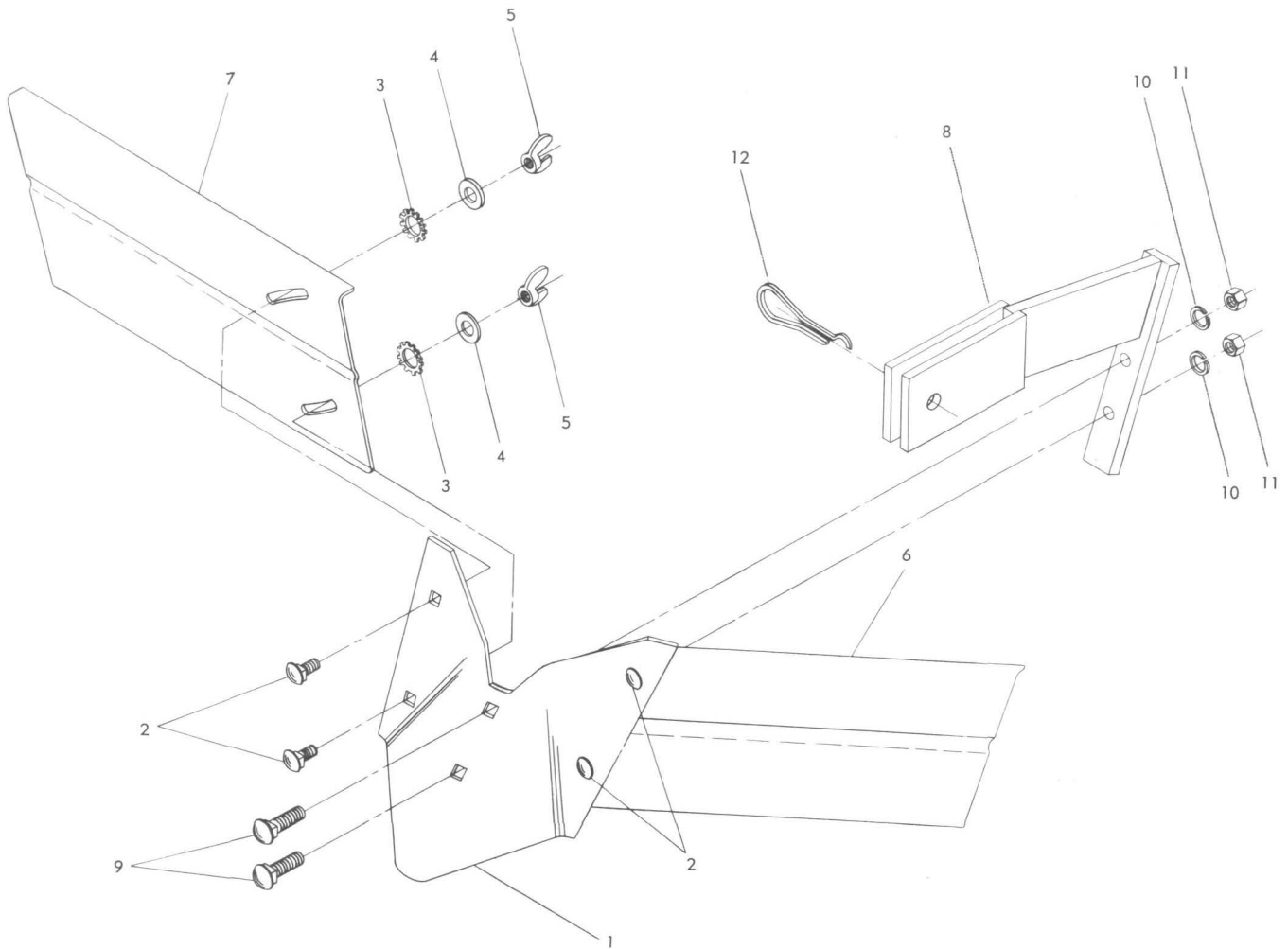
**TINE ATTACHMENT CRADLE
(Figure 13)**



REF No.	PART No.	DESCRIPTION	QTY.
KICKSTAND ATTACHMENT			
----	1931	Kickstand—complete (incl. Ref. No.'s 1 through 12). Kickstand attaches to lower brace of bumper attachment (1932)	1
1	2195	Leg—kickstand	1
2	2196	Plate—kickstand mounting	1
3	1492	Spring—kickstand	1
4	9336	Pin—clevis	1
5	9741	Bolt—hex hd., 5/16-18 x 2", Grade 5	1
6	9902	Washer—flat, 5/16", S.A.E.	1
7	9473	Bushing—.438"lg. (.313" O.D., .275" I.D.)	1
8	9912	Lockwasher—spring lock, 5/16"	1
9	9801	Nut—hex, 5/16"-18	1
10	9567	Screw—flat hd., 1/4"-20 x 1-1/2" ...	1
11	9910	Lockwasher—spring lock, 1/4"	1
12	9800	Nut—hex, 1/4"-20	1

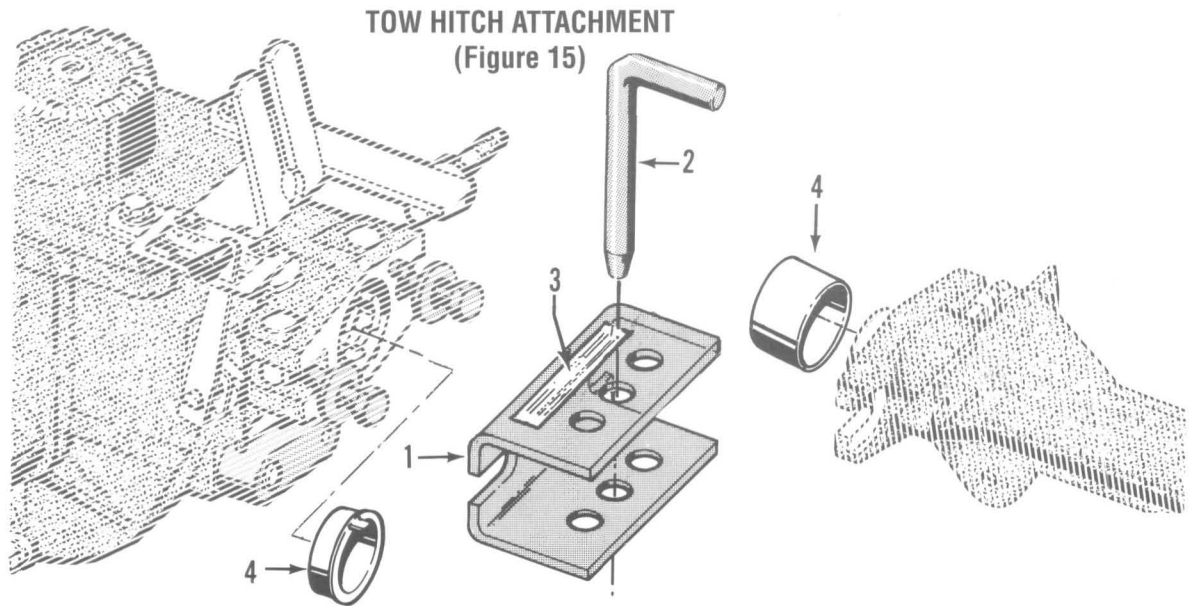
REF No.	PART No.	DESCRIPTION	QTY.
TINE ATTACHMENT CRADLE			
---	2007	Tine Attachment Cradle—complete (incl. Ref. No.'s 13 - 19). For storing the tine attachment when removed from power unit. Also assists in removal and replacement of tine attachment	1
13	2299	Rear Cradle Support	1
14	2301	Front Cradle Support	1
15	2297	Tine Cradle Plate	3
16	9800	Nut—hex, 1/4"-20	8
17	9580	Screw—hex hd., 1/4"-20 x 3/4"	2
18	90070	Screw—round-head, 1/4"-20 x 3/4" ..	6
19	9910	Lockwasher—spring lock, 1/4"	8

HILLER/FURROWER ATTACHMENT(Figure 14)



REF No.	PART No.	DESCRIPTION	QTY.
---	2638	Hiller/Furrower-complete (incl. Ref. No.'s 1 through 12). Owner must bolt blade to mounting bracket and wings to blade. Instructions included	1
1	2735	Furrower-blade only	1
2	9765	Carriage Bolt-5/16-18 x 3/4"	4
3	9919	Star Washer-ext. tooth, 5/16"	4
4	9902	Washer-plain, 5/16" S.A.E.	4
5	9824	Wing Nut-5/16"-18	4

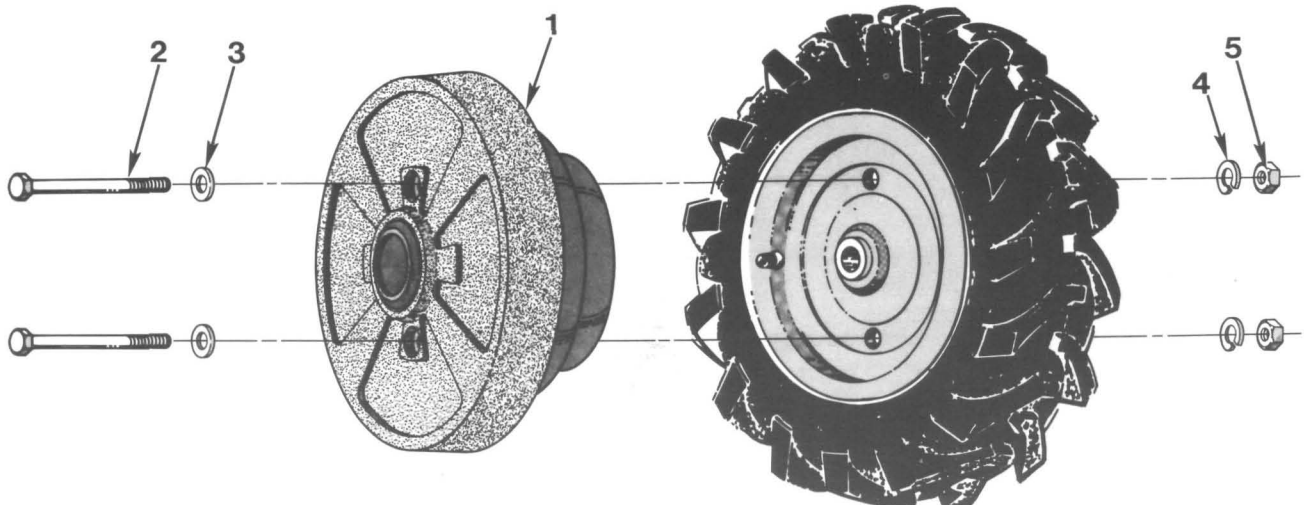
REF No.	PART No.	DESCRIPTION	QTY.
6	2736-01	Hiller Wing-left	1
7	2736-02	Hiller Wing-right	1
8	2636	Bracket-blade mounting	1
9	9725	Carriage Bolt-blade mounting, 3/8-16 x 1-1/2"	2
10	9913	Lockwasher-spring lock, 3/8" plated	2
11	9802	Nut-hex, 3/8"-16, plated	2
12	9318	Pin-clinch	1

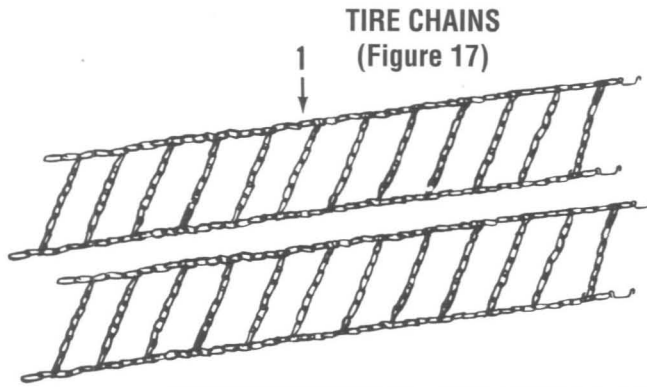


REF No.	PART No.	DESCRIPTION	QTY.
TOW HITCH ATTACHMENT (Figure 15)			
----	2004	Tow Hitch Attachment—complete (incl. Ref. No.'s 1 through 4)....	1
1	2287	Hitch—mounting plate (incl. Ref. No. 3).....	1
2	9363	Pin—hitch	1
3	2288	Decal—warning instructions	1
4	2006	Dust Caps—2 protective covers	1

REF No.	PART No.	DESCRIPTION	QTY.
WHEEL WEIGHTS (Figure 16)			
1	2382	Shell—wheel weight.....	2
2	1186411	Screw—hex hd., 3/8-16 x 6"	4
3	9904	Washer—flat, 3/8"	4
4	9913	Lockwasher—spring, 3/8"	4
5	9802	Nut—hex, 3/8"-16	4
----	10185	Wheel Weight Kit—complete, incl. Ref. No. 1 through 5). Instructions included	1

**WHEEL WEIGHTS
(Figure 16)**

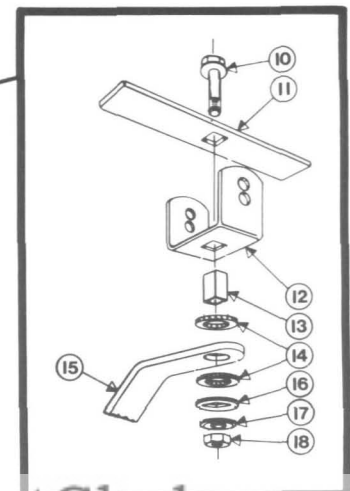
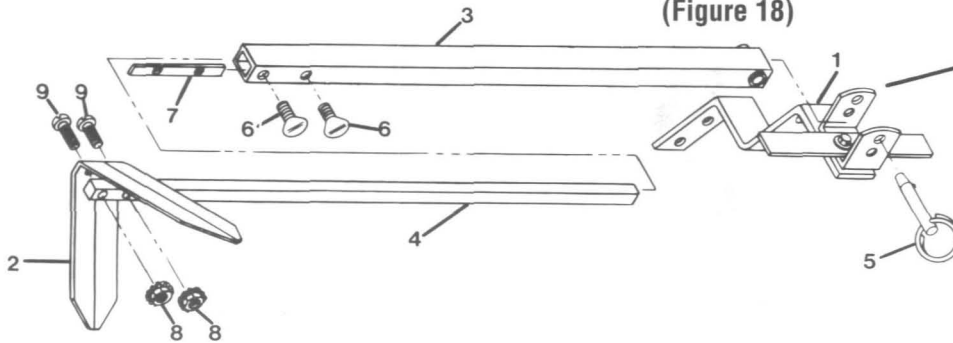




REF No.	PART No.	DESCRIPTION	QTY.
TIRE CHAINS (Figure 17)			
---	9146	Chains-tire, heavy-duty steel. For standard. tread or bar tread tires. Two chains in a set.....	1
ROW MARKER ATTACHMENT Part #1832 (Figure 18) (Complete - attaches to #1317 Furrower Attachment)			
1	1569	Main Support & Yoke Assy-complete (incl. Ref. No. 10 through 18).....	1
2	1594	Marker blade-blade only	1
3	1597	Marker arm-main arm.....	1
4	1570	Marker arm-extension arm with stop pin.....	1
5	9347	Hitch Pin-incl. in #1837 hardware package.....	1
6	9786	Thumbscrew-1/4-20 x 1/2", incl. in #1837 hardware package	2
7	1596	Nut Bar-incl. in #1837 hardware package.....	1
8	9828	Nut-hex, #10-24 with star washers (incl. in hardware pkg. #1837).	2

REF No.	PART No.	DESCRIPTION	QTY.
9	9721	Screw-round hd., #10-24 x 1 (incl. in hwd. pkg. #1837).....	2
---	1837	Hardware Pkg-incl. one each Ref. No. , and No. 7, and two each Ref. No.'s 6, 8 and 9.....	1
---	1850	Row Marker & Hiller/Furrower Attachment Combination-complete Incl. #2638 Hiller/Furrower & #1832 Row Marker	1
ROW MARKER MAIN SUPPORT & YOKE ASSEMBLY (Part #1569)			
10	90047	Bolt-flanged, self-locking, 3/8-16 x 1-1/2"	1
11	1593	Stop Bar	1
12	1592	Yoke	1
13	1591	Tube Key-square	1
14	1590	Washer-friction	1
15	1588	Main Support.....	1
16	1589	Washer-square hole.....	1
17	9925	Washer-disc spring.....	1
18	9802	Nut-hex, 3/8"-16	1

ROW MARKER ATTACHMENT (Figure 18)





For customer assistance, contact your nearest authorized dealer or:

In the United States: GARDEN WAY INCORPORATED • 102nd St. and 9th Ave. • Troy, New York 12180

For Technical Service: (800) 520-5520 • For Parts: (800) 648-6776

In Canada: GARDEN WAY INCORPORATED • 320 Van Sickle Rd., Unit 12 • Saint Catherines, Ontario L2R 6P7

For Technical Service or Parts: (800) 225-3585