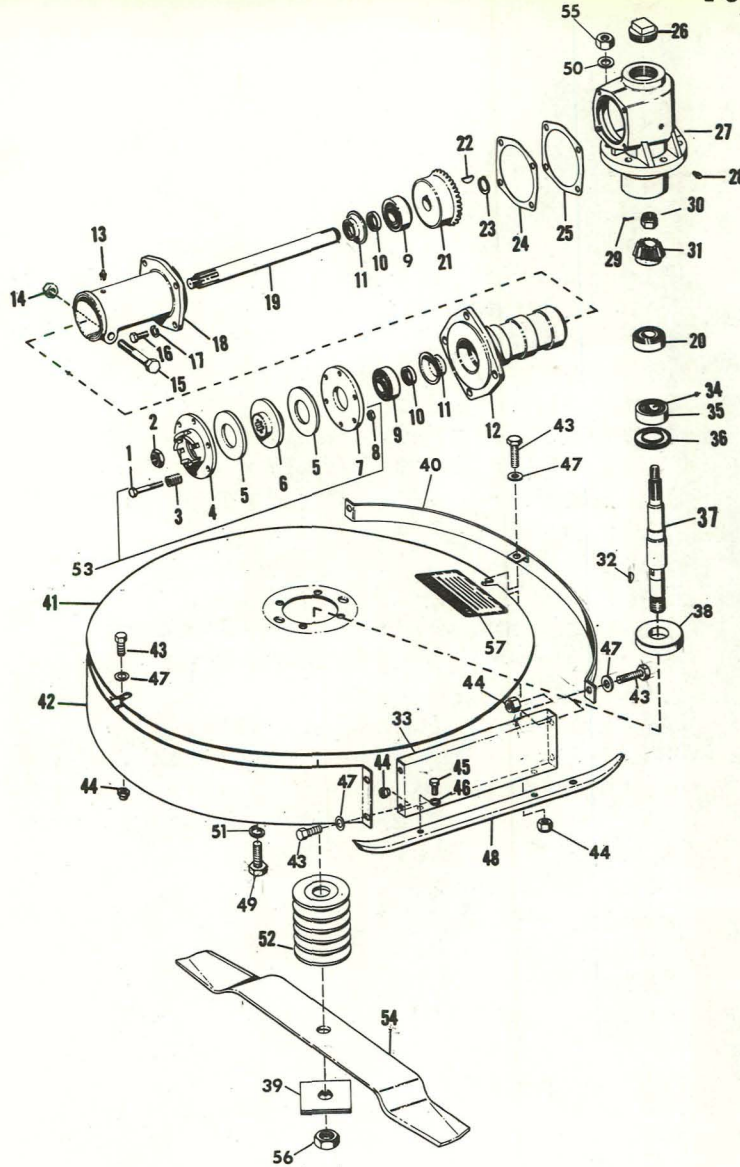


ILLUSTRATED PARTS LIST

30" ROTARY MOWER

Consists of

10724E1 Deck Assembly
 10230E1 30" Mower Drive
 Effective Date 11-15-74
 Form Number 20896L1



ITEM NO.	PART NO.	DESCRIPTION
1	181618	Bolt, Hex 5/16-24 x 1-3/4
2	13412P1	Nut, Lock Esna 5/8-18 Light Thin
3	12871P1	Spring
4	12867P1	Plate, Dog
5	12870P1	Washer, Friction
6	12869P1	Plate, Drive
7	12868P1	Plate, Back
8	18277P1	Nut, Lock Esna 5/16-24 Light Thin
9	13143P1	Race, Bearing
	13144P1	Cone, Bearing
10	13122P1	Seal, Oil
11	12550P1	Retainer, Oil Seal
12	11815P1	Housing, Shaft
13	9411010	Fitting, Lube 1/8
14	435507	Locknut, 1/2-13 Washer Insert
15	180191	Bolt, Hex 1/2-13 x 3-1/4
16	180122	Bolt, 3/8-16 x 1 Hex Head Bolt
17	138542	Lockwasher, 3/8 Internal Tooth
18	12023P1	Casting, Swivel
19	12566P1	Shaft, Drive
20	13145P1	Race, Roller Bearing
	13146P1	Cone, Roller Bearing
21	12862P1	Gear, Bevel
22	120502	Key, Woodruff #11
23	13187P1	Ring, Retaining
24	12490P1	Shim, Gear Mounting .005
25	12491P1	Gasket

<u>ITEM NO.</u>	<u>PART NO.</u>	<u>DESCRIPTION</u>
26	10499P1	Plug, Pipe
27	12853P1	Housing, Gear
28	103877	Plug, Pipe 1/8 In Sq Hd Steel
29	119120	3/32 x 1-1/4 Cotter Pin
30	125384	Nut, Slotted 5/8-18 Hex Thick
31	12850P1	Pinion, Bevel
32	124549	Key, Woodruff #9
33	12855P1	Panel, Skid
34	13142P1	Cone, Roller Bearing
35	13139P1	Race, Roller Bearing
36	13171P1	Seal, Oil (Dual Lip)
37	20676P1	Shaft, Rotor
38	12861P1	Collar, Fixed
39	20626P1	Washer, Spindle Nut
40	10108A1	Front Fender Weldment
41	10110A3	Deck Weldment
42	10109A1	Rear Fender Weldment
43	181596	Bolt, 5/16-24 x 7/8 Hex Head
44	190139	Locknut, 5/16-24 Washer Insert
45	181593	Bolt, 5/16-24 x 5/8 Hex Head
46	138538	Lockwasher, 5/16 Internal Tooth
47	120386	Flatwasher, 5/16 x 47/64 x .065
48	9223P2	Skid
49	180177	Bolt, Hex 1/2-13 x 1-1/2
50	120390	Flatwasher, 9/16 x 1-3/8 x .109
51	120384	Lockwasher, 1/2 Spring Type
52	12858P1	Collar, Loose 1/4"
53	10102A1	Attachment Clutch Assembly
54	13209P1	Blade, Rotary Mower Heavy Duty (Clockwise)
55	120378	Nut, 1/2-13 Light Semi-Finish Hex
56	451543	Nut, 7/8-9 Heavy Jam Hex
57	18549P1	Decal, Danger
NS	12860P1	Blade, Rotary Light Duty
NS	13646P1	Shim, Gear .010
NS	12852P1	Shim, Gear .005
NS	14101P1	Shim, Gear Housing .020