



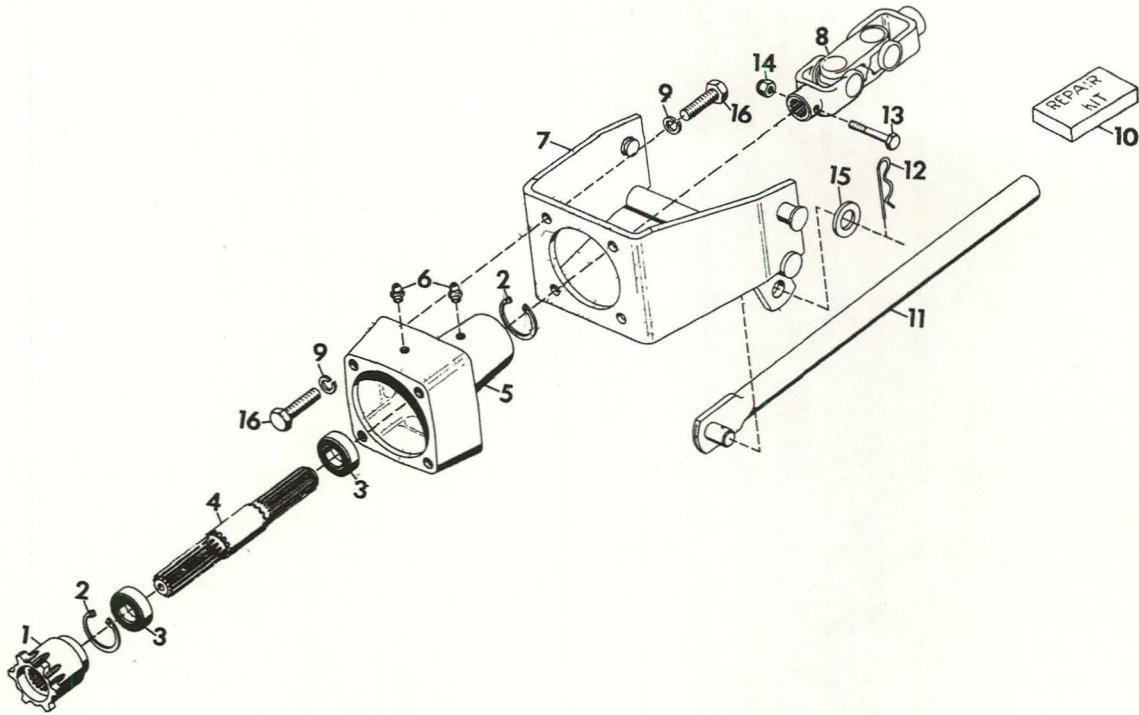
# GRAVELLY

CLARKE-GRAVELLY CORPORATION  
A Studebaker-Worthington Company

# ILLUSTRATED PARTS LIST

NAME: FRONT ADAPTER KIT

PART NUMBER(S): 21339



Item No.	Part No.	Qty.	Description
1	21341	1	Housing, Adaptor
2	19073	2	Ring, Retaining; 2.062
3	19072	2	Bearing, Ball; .984 x 2
4	21342	1	Shaft, Front Adapter
5	21341	1	Housing, Adaptor
6	411027	2	Fitting, Lube; 1/4-28
7	11609	1	Adaptor Weldment
8	11967	1	Double Joint Assembly
9	120384	8	Washer, Lock; 1/2 Reg.
10	12134	1	Kit, Repair Universal J
	24560	1	Kit, Repair Universal J
11	11607	1	Rod, Push Weldment
12	10405	1	Pin, Hair
13	180044	1	Bolt, Hex; 1/4-20 x 2
14	419454	1	Nut, Lock; 1/4-20 Hex HD
15	131017	1	Washer, Flat; .812 x 1.49
16	180177	8	Bolt, Hex; 1/2-13 x 1.50

To continue its program of quality and design improvement, the manufacturer reserves the right to change specifications, designs and prices without notice and incurring obligation.

Form No. 32040 (8-79)

Printed in U.S.A.

BrentChalmers.com

