

# ILLUSTRATED PARTS LIST

19482A1

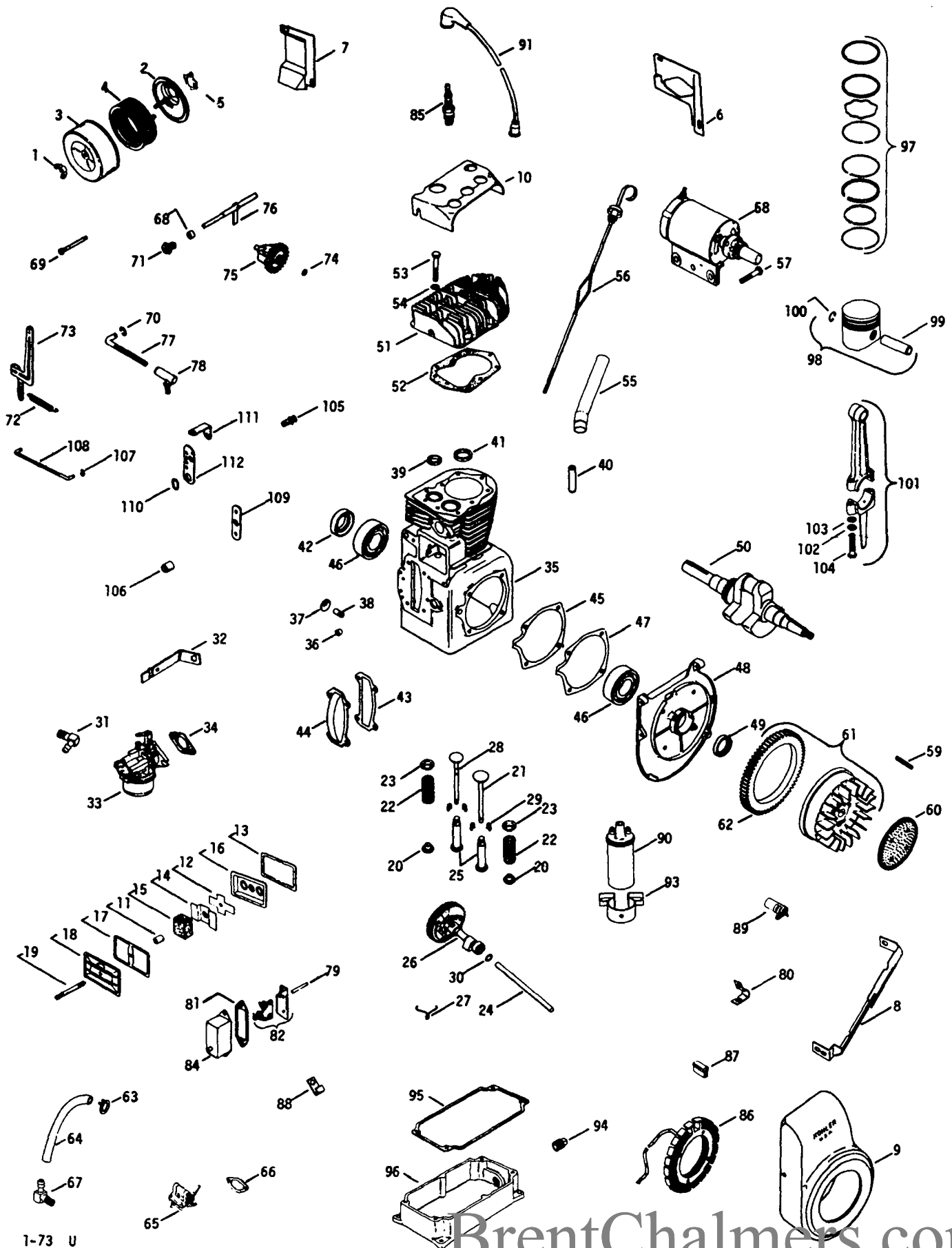
KOHLER K301S SPEC 47482D

FOR 812 TRACTOR

 **GRAVELLY**  
A DIVISION OF CLARKE-GRAVELLY CORPORATION  
GRAVELLY LANE  
CLEMMONS, N. C. 27012

Form No: 20958L1  
Effective Date: 4-01-76

[BrentChalmers.com](http://BrentChalmers.com)



1-73 U

ITEM NO.	KOHLER PART NO.	GRAVELY PART NO.	DESCRIPTION	ITEM NO.	KOHLER PART NO.	GRAVELY PART NO.	DESCRIPTION
<b>AIR INTAKE GROUP</b>				<b>CRANKCASE GROUP</b>			
1	X-167-2	132100	Screw, Mach 10-32 x 5/16		X-132-6	180016	Bolt Hex 1/4-20 x 1/2
	X-276-7	10413P1	Nut, Wing 1/4-20		X-159-2	180122	Bolt Hex 3/8-16 x 1
2	235101	10949P1	Base, Air Cleaner	35	A-237696	19902P1	Miniblock
3	235102	10901P1	Cover, Air Cleaner	36	234866	11647P1	Bearing, Needle
4	235116	10900P1	Element, Air Cleaner	37	X-230-11	10948P1	Plug, Expansion
5	275341	10760P1	Gasket, Air Horn	38	235125-S	11648P1	Shaft, Governor
				39	230170	12150P1	Insert, Valve Seat
<b>BAFFLES AND SHROUD GROUP</b>				40	235007-S	11646P1	Guide, Valve
	X-22-22	138479	Washer, Lock No. 10 Ext Tooth	41	230265-S	12362P1	Insert, Intake Valve
	X-25-53	120392	Washer, Flat 9/32 x 5/8 x .065	42	X-379-9	10799P1	Seal, Oil
	X-97-3	188978	Screw, Mach 10-24 x 3/8 Hex Hd	43	235025	10798P1	Gasket, Camshaft
	X-132-2	180020	Bolt, Hex 1/4-20 x 3/4	44	235026	10797P1	Cover, Camshaft
	X-132-6	180016	Bolt, Hex 1/4-20 x 1/2	45	235070	10796P1	Gasket, Bearing Plate
6	235652	14844P1	Baffle, Side Air	46	235376	10794P1	Bearing, Ball
7	236676	12029P1	Baffle, Cylinder	47	235757	14747P1	Gasket, Bearing Plate
8	236847	19694P1	Deflector	48	4515602	14748P1	Plate, Bearing
9	236985	14742P1	Housing Blower	49	X-271-30	10800P1	Seal, Front Oil
10	237677	19905P1	Baffle, Head	<b>CRANKSHAFT AND CYLINDER HEAD GROUPS</b>			
<b>BREATHER AND VENT GROUP</b>				50	B-235805	19893P1	Crankshaft
	X-20-1	120380	Washer, Lock 1/4 Sp	51	237670	19908P1	Head, Cylinder
	X-81-1	9419454	Nut Lock 1/4-20 Washer Insert	52	237658	10803P1	Gasket, Head
11	231032	10772P1	Seal, Breather	53	270158	180126	Screw, H. C.
12	235047	10771P1	Reed, Breather	54	270889	10805P1	Washer
13	235048	10770P1	Gasket, Valve Cover	<b>DIPSTICK GROUP</b>			
14	235117	10769P1	Baffle, Breather	55	235895	10807P1	Tube, Oil Fill
15	235118	10768P1	Filter, Breather	56	236703	14750P1	Dipstick Assy
16	235631	10767P1	Plate, Breather Assy	<b>ELECTRIC START GROUP</b>			
17	275144	10773P1	Gasket		X-22-1	120394	Washer Flat 13/32 x 13/16 x .065
18	275143	10766P1	Cover, Valve		X-22-11	138542	Washer Lock 3/8 Int Tooth
19	275220	10774P1	Stud, Valve Cover		X-1-1	9419454	Nut Lock 1/4-20 Washer Insert
<b>CAMSHAFT AND VALVES GROUP</b>				57	234948	19895P1	Screw, H. C. 3/8-16 x 1-11/32
20	230011	10781P1	Retainer, Valve Spring	58	A-237534	19581P1	Starter
21	235008	10776P1	Valve, Intake	<b>FLYWHEEL GROUP</b>			
22	235010	10778P1	Spring, Valve		X-25-88	11988P1	Washer Flat 5/8
23	235011	10780P1	Retainer, Spring Upper		X-119-14	10952P1	Nut, Lock 5/8-18
24	235053	10783P1	Pin, Camshaft		X-166-2	153777	Screw Mach 1/4-20 x 5/8
25	D-235327	10784P1	Tappet, Assy				Fill Hd
26	E-235661	19542P1	Camshaft Assy	59	X-286-15	15987P1	Key, Sq 3/16 x 1-3/8
27	4708901	10947P1	Spring, Actuating	60	236688	12044P1	Screen, Grass
28	235826	11878P1	Valve, Exhaust	61	4702507	21372P1	Flywheel
29	240013	10785P1	Keeper, Valve	62	236285	12149P1	Gear, Ring
30	275066	10786P1	Spacer, Camshaft .005	<b>FUEL PUMP GROUP</b>			
30	275067	10787P1	Spacer, Camshaft .010		X-174-2	160541	Screw Mach 1/4-20 x 3/4
<b>CARBURETOR GROUP</b>				63	X-426-9	20914P1	Clamp Fuel Hose
31	X-160-1	180079	Bolt Hex 5/16-18 x 1	64	X-697-1	14753P1	Line, Fuel
32	X-391-1	14745P1	Elbow, Hose	65	A-235845	11651P1	Pump, Fuel
33	A-236919	14746P1	Bracket, Choke	66	4704101	10820P1	Gasket, Fuel Pump
34	A-237772	19890P1	Carburetor Assy	67	X-391-1	14745P1	Elbow, Hose
	271030	10790P1	Gasket, Carburetor				

Note: Item No. 35 - Part No. 19902P1, Miniblock (Bare block no longer available)

<u>ITEM NO.</u>	<u>KOHLER PART NO.</u>	<u>GRAVELY PART NO.</u>	<u>DESCRIPTION</u>	<u>ITEM NO.</u>	<u>KOHLER PART NO.</u>	<u>GRAVELY PART NO.</u>	<u>DESCRIPTION</u>
<u>GOVERNOR GROUP</u>				<u>THROTTLE CONTROL GROUP</u>			
	X-19-1	120217	Washer Lock No.10 Spring		X-25-63	120386	Washer, Flat 5/16 x 47/64 x .065
	X-25-55	10955P1	Washer Flat 17/64 x 1/2 x .062		X-132-4	180022	Bolt Hex 1/4-20 x 1
	X-70-3	120614	Nut Mach 10-32 Hex		231052	10834P1	Clamp, Swivel Wire
68	X-400-80	19595P1	Spacer	105	235085	10831P1	Spacer
69	231355	10833P1	Pin, Governor Stop	106	235278	10827P1	Retainer, Ring
70	235278	10827P1	Rod, Retainer	107	235756	11827P1	Rod, Throttle
71	235476	10826P1	Bushing	108	236752	11828P1	Crank, Bell
72	235496	10824P1	Spring, Governor	109	275690	10822P1	Washer, Tension
73	A-237653	10825P1	Lever, Governor Assembly	110	X-132-9	10835P1	Bolt Special
74	237022	19550P1	Washer, Thrust		235084	10832P1	Bracket, Adjusting Screw
75	A-237031	15430P1	Gear, Governor	111	235086	10830P1	Bracket, Speed Control
76	237455	19583P1	Shaft, Governor Cross	112	237727	14766P1	Gasket, Set
77	235277	10828P1	Rod, Throttle				
	X-70-3	120614	Nut Mach 10-32 Hex				
78	275868	10821P1	Joint, Ball				
<u>IGNITION GROUP</u>							
	X-22-9	14773P1	Washer, Special				
	X-25-52	19622P1	Washer, 1/4				
	X-67-59	10956P1	Screw, 8-32 x 3/8 Tapping				
	X-116-4	153315	Screw, 10-24 x 1 Fill Hd				
	X-131-1	133556	Screw, 10-24 x 3/8 Flat Hd				
	X-132-2	180020	Bolt, Hex 1/4-20 x 3/4				
79	X-489-1	10838P1	Rod, Breaker				
80	X-728-1	19565P1	Clip				
81	220174	10839P1	Gasket, Breaker				
82	A-220474	15435A1	Breaker, Assembly				
84	232535	10841P1	Cover, Breaker				
85	235040-S	10842P1	Plug, Spark				
86	237878	18626P1	Stator				
87	237757	19899P1	Connector				
88	275182	10846P1	Clip, Cable				
89	230722	11824P1	Condensor				
90	237256	18634P1	Coil, Ignition				
91	238057	11822P1	Cable, High Tension				
93	231879	19556P1	Bracket, Coil				
<u>OIL PAN GROUP</u>							
94	X-75-24	103881	Plug, Pipe 3/4				
	X-159-3	180124	Bolt Hex 3/8-16 x 1-1/4				
95	235057	12148P1	Gasket, Pan				
96	235115	12147P1	Base, Oil Pan				
<u>PISTON AND ROD GROUP</u>							
97	235889	12363P1	Ring Set Std.				
	235890	12364P1	Ring Set .010 Oversize				
	235891	12365P1	Ring Set .020 Oversize				
	235892	12366P1	Ring Set .030 Oversize				
98	A-235827	12368P1	Piston Assy Std				
	A-235865	12369P1	Piston Assy .010				
	A-235866	12370P1	Piston Assy .020				
	A-235867	12371P1	Piston Assy .030				
99	235803	12372P1	Pin, Piston				
100	235811	12367P1	Retainer, Piston Pin				
101	A-237344	19394P1	Rod, Connecting Assy.Std.				
	A-237344-10	14785P1	Rod, Connecting Assy .010 U.S.				
102	X22-1	120394	Washer				
103	235003	11879P1	Washer, Plain				
104	236611	10852P1	Screw, Connecting Rod				