

**40" AND 50" MOWER
FRONT MOUNT KIT**

GRAVELY

To continue its program of quality and design improvement, the manufacturer reserves the right to change specifications, design or prices without notice and without incurring obligation.

**ILLUSTRATED
PARTS LIST**

Model Number

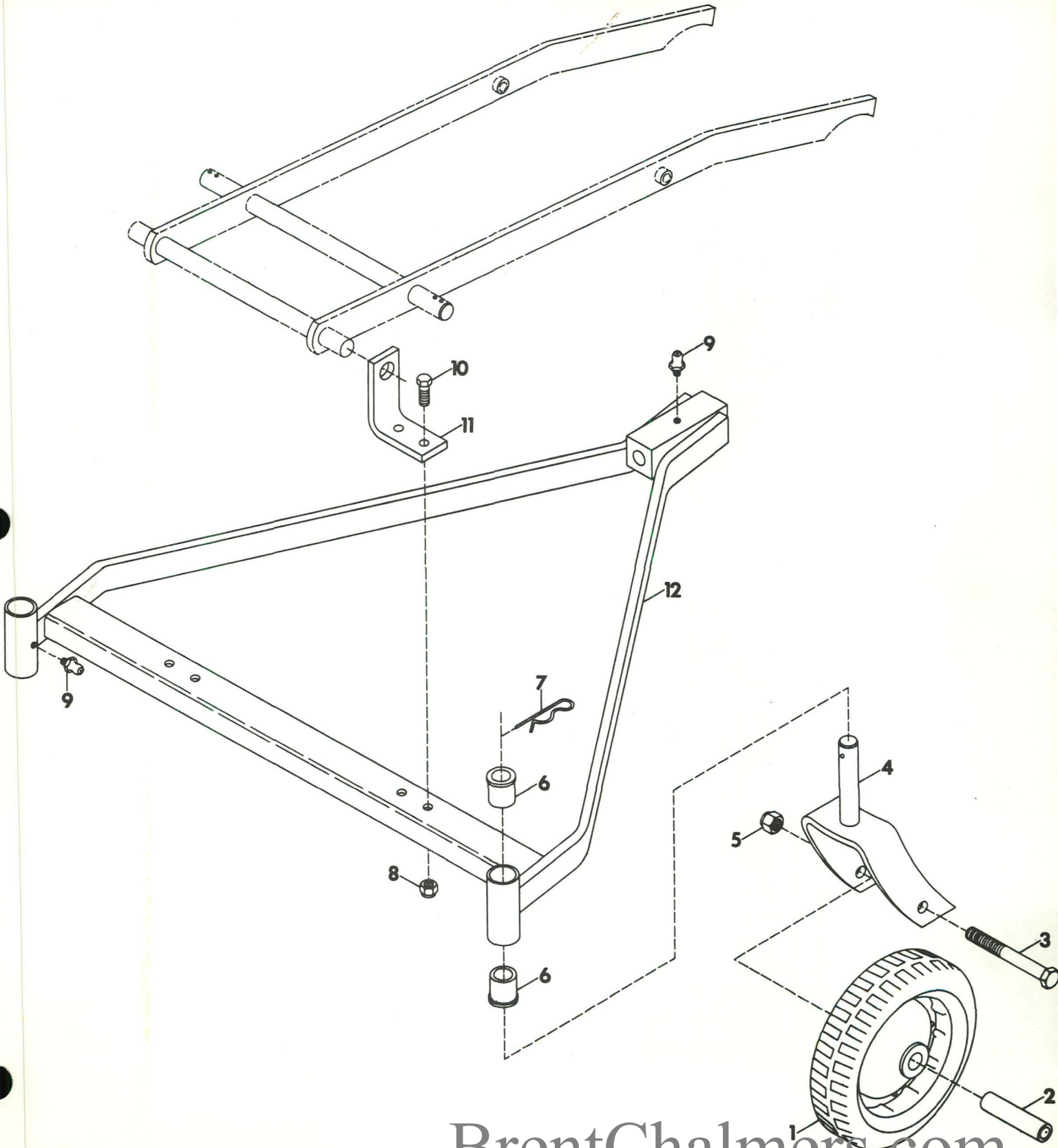
15569E1

Effective Date

5-15-72

Form Number

14378P1



BrentChalmers.com

<u>ITEM NO.</u>	<u>PART NO.</u>	<u>DESCRIPTION</u>
1	6535P1	Gauge Wheel
2	11950P1	Bushing
3	433156	1/2-13 x 4-1/2 Hex Hd Cad Plated Bolt
4	11948A1	Caster Fork Weldment
5	435507	1/2 Locknut
6	11947P1	Bushing
7	10405P1	Hair Pin Cotter
8	456004	3/8-16 Washer Insert Lock Nut
9	9411027	1/4-28 Lube Fitting
10	180122	3/8-16 x 1 Hex Hd Bolt
11	11946P1	Pivot Arm Support
12	11939A1	Frame Weldment