

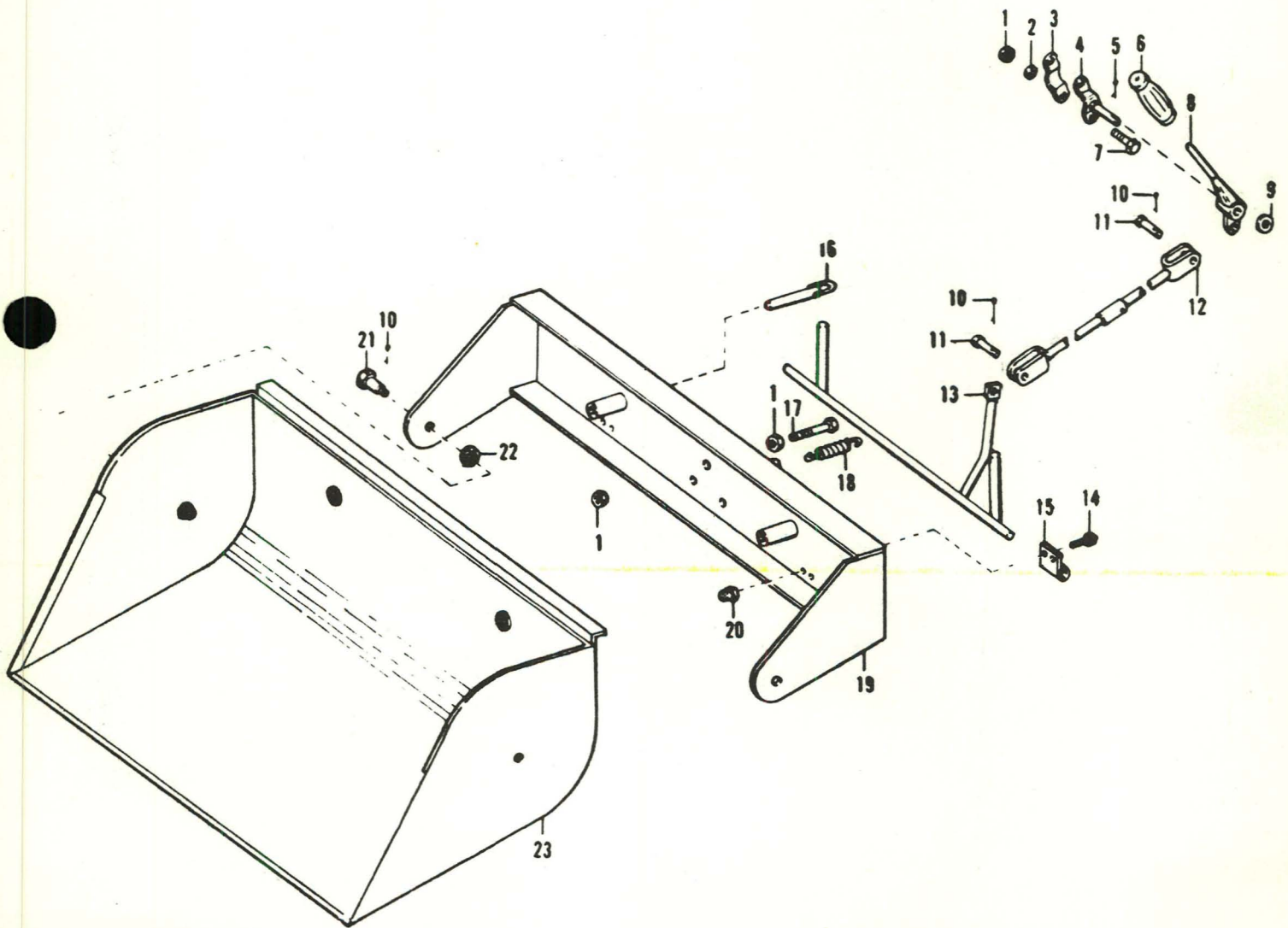


To continue its program of quality and design improvement, the manufacturer reserves the right to change specifications, design or prices without notice and without incurring obligation.

# ILLUSTRATED PARTS LIST

UTILITY SCOOP

Model Number 15592E1  
Effective Date 5-01-75  
Form Number 20974L1



<u>ITEM NO.</u>	<u>PART NO.</u>	<u>DESCRIPTION</u>
1	120377	Nut, Hex 3/8-16
2	138542	Washer, Lock 3/8 Int. Tooth
3	7408P1	Clamp, Hand Lever
4	7409A1	Pivot, Hand Lever
5	120123	Pin, Cotter 1/8 x 1-1/4
6	5167P1	Grip, Handle
7	180124	Bolt, Hex 3/8-16 x 1-1/4
8	12683P1	Lever, Clutch Hand
9	120396	Washer, Flat 17/32 x 1-1/16 x .095
10	121222	Pin, Cotter 3/32 x .75
11	431780	Pin, Clevis 3/8 x .750
12	10306A1	Rod, Actuating Assembly
13	7402A1	Lever, Actuating
14	180018	Bolt, Hex 1/4-20 x 5/8
15	7404A1	Bracket, Pivot
16	7403A1	Pin, Locking Weldment
17	180132	Bolt, Hex 3/8-16 x 2-1/4
18	7405P1	Spring, Ext Type 2-1/2 x 7/16 x 12 Rate
19	7401A1	Frame Weldment
20	9419454	Nut, Lock 1/4-20 Washer Insert Hex
21	7407P1	Bolt, Pivot
22	131017	Washer, Flat 15/16 x 1-15/32 x .134
23	7400A1	Blade Weldment