

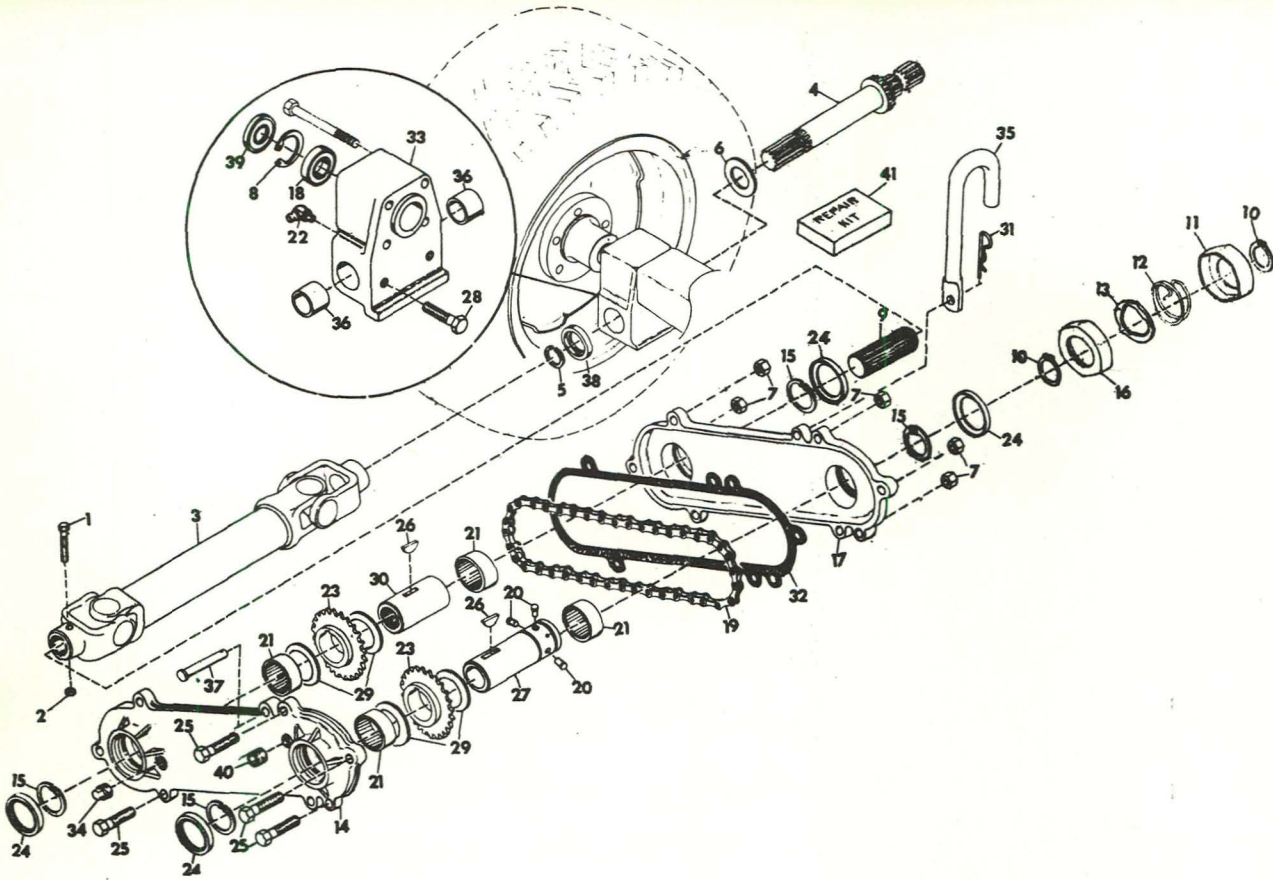


To continue its program of quality and design improvement, the manufacturer reserves the right to change specifications, design or prices without notice and without incurring obligation.

# ILLUSTRATED PARTS LIST

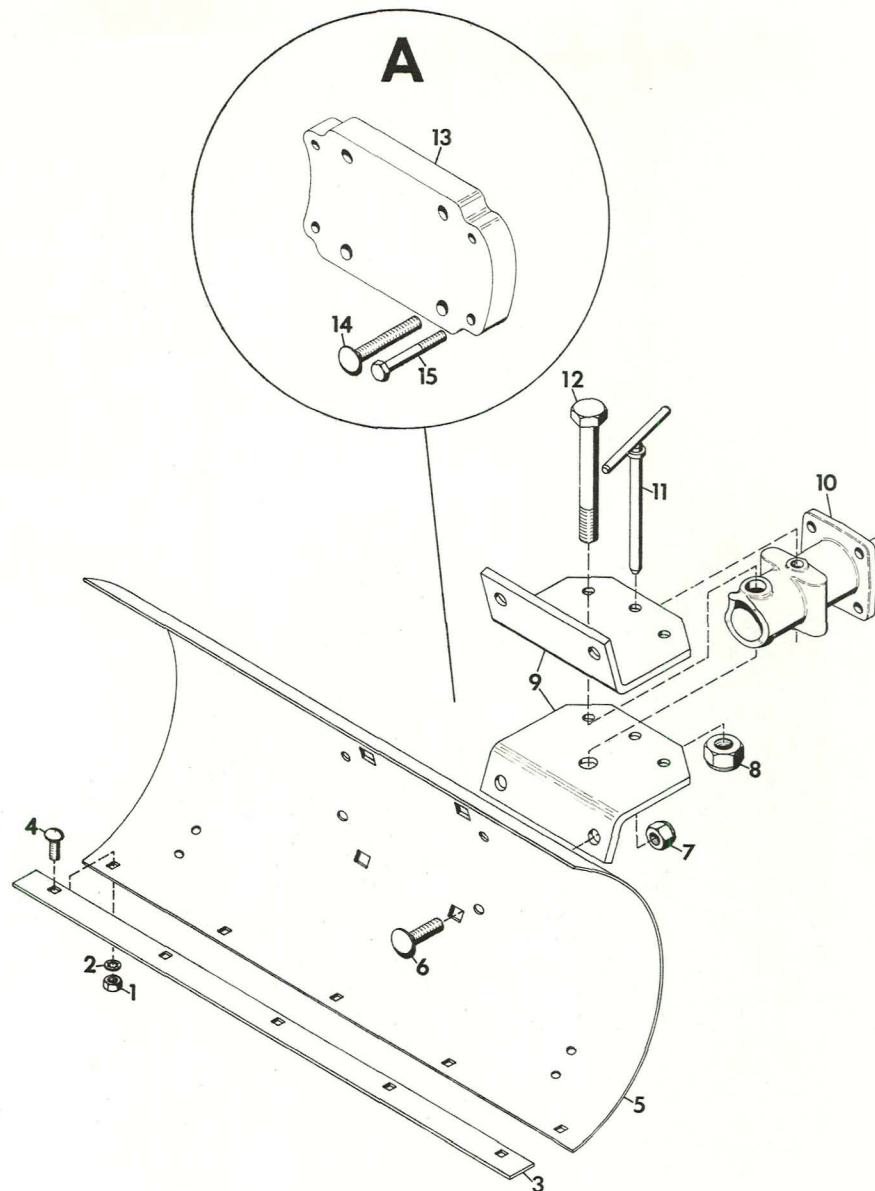
PTO REAR (810,812,814)

Model Number 19814E1  
 Effective Date 10-15-74  
 Form Number 20510L1



ITEM NO.	PART NO.	DESCRIPTION
1	180044	Bolt, Hex 1/4-20 x 2
2	9419454	Nut, Lock 1/4-20 Washer Insert Hex
3	18971P1	Shaft, Drive (Rear)
4	18978P1	Shaft
5	14987P1	Ring, Retaining Eaton 329-1
6	17959P1	Bearing, Thrust Race Torr Trc-1625
7	456004	Nut, Lock 3/8-16 Washer Insert Hex
8	18812P1	Ring, Retaining
9	18972P1	Shaft
10	18962P1	Ring, Retaining
11	18967P1	Retainer, Outer
12	18965P1	Spring
13	18966P1	Cam
14	18949P1	Housing, Front
15	18960P1	Ring, Retaining
16	18963P1	Retainer, Inner
17	18948P1	Housing, Rear
18	18029P1	Bearing, Ball 1.250 x 2.250 x .500
19	18957P1	Chain, Roller
20	18964P1	Pin
21	18950P1	Bearing, Needle 1-1/2 x 1-7/8 x 1/2
22	9411032	Fitting, Lube 1/4-28 90 Deg Elbow
23	18953P1	Sprocket
24	18961P1	Seal, Oil 1-1/2 x 2-1/8 x 5/16
25	180130	Bolt, Hex 3/8-16 x 2
26	431787	Key, Woodruff 3/16 x 5/8 Hard No. 61
27	18952P1	Shaft
28	180173	Bolt, Hex 1/2-13 x 1
29	18954P1	Bearing, Thrust Race Torr Trb-2435
30	18956P1	Shaft
31	11860P1	Pin, Hair Cotter
32	18958P1	Gasket
33	19480A1	Retainer, Axle Brg. Bushing Assy R.H.
34	103880	Plug, Pipe 1/2 In. Sq Hd Steel
35	20821P1	Bracket, Rear P.T.O.
36	18977P1	Bearing
37	9411602	Pin, Clevis 3/8 x 1.875
38	19537P1	Bearing, Thrust Race
39	18031P1	Seal, Oil Axle
40	18968P1	Plug, Vented
41	12134P1	Kit, Repair Universal Joint Rockwell Std
	20573P1	Kit, Repair Universal Joint Neapco 1605X





<u>ITEM NO.</u>	<u>PART NO.</u>	<u>DESCRIPTION</u>
1.	120376	Nut, Hex; 5/16-18
2.	138538	Washer, Lock; 5/16 Internal Tooth
3.	12503P1	Strip, Wearing
4.	126358	Bolt, RD. HD. SQ. NK.; 5/16-18 x 1
5.	21464	Blade, Snow Plow
6.	435507	Bolt, RD. HD. SQ. NK.; 1/2-13 x 1 1/2
7.	120917	Nut, Lock; 1/2-13 Washer Insert
8.	456007	Nut, Lock; 3/4-10 Washer Insert
9.	21463	Plate, Swivel
10.	12522P1	Casting, Swivel
11.	10375P1	Pin, Adjusting
12.	429886	Bolt, Hex; 3/4-10 x 5 1/4
13.	21901	Weight, Blade
14.	120897	Bolt, RD. HD. SQ. NK.; 1/2-13 x 3
15.	180137	Bolt, Hex 3/8-16 x 2 3/4

NOTE: Circle "A" is Optional in Kit Form

