

ILLUSTRATED PARTS LIST

BRIGGS AND STRATTON ENGINE

MODEL 326437 TYPE 0170-01

FOR 816S TRACTOR

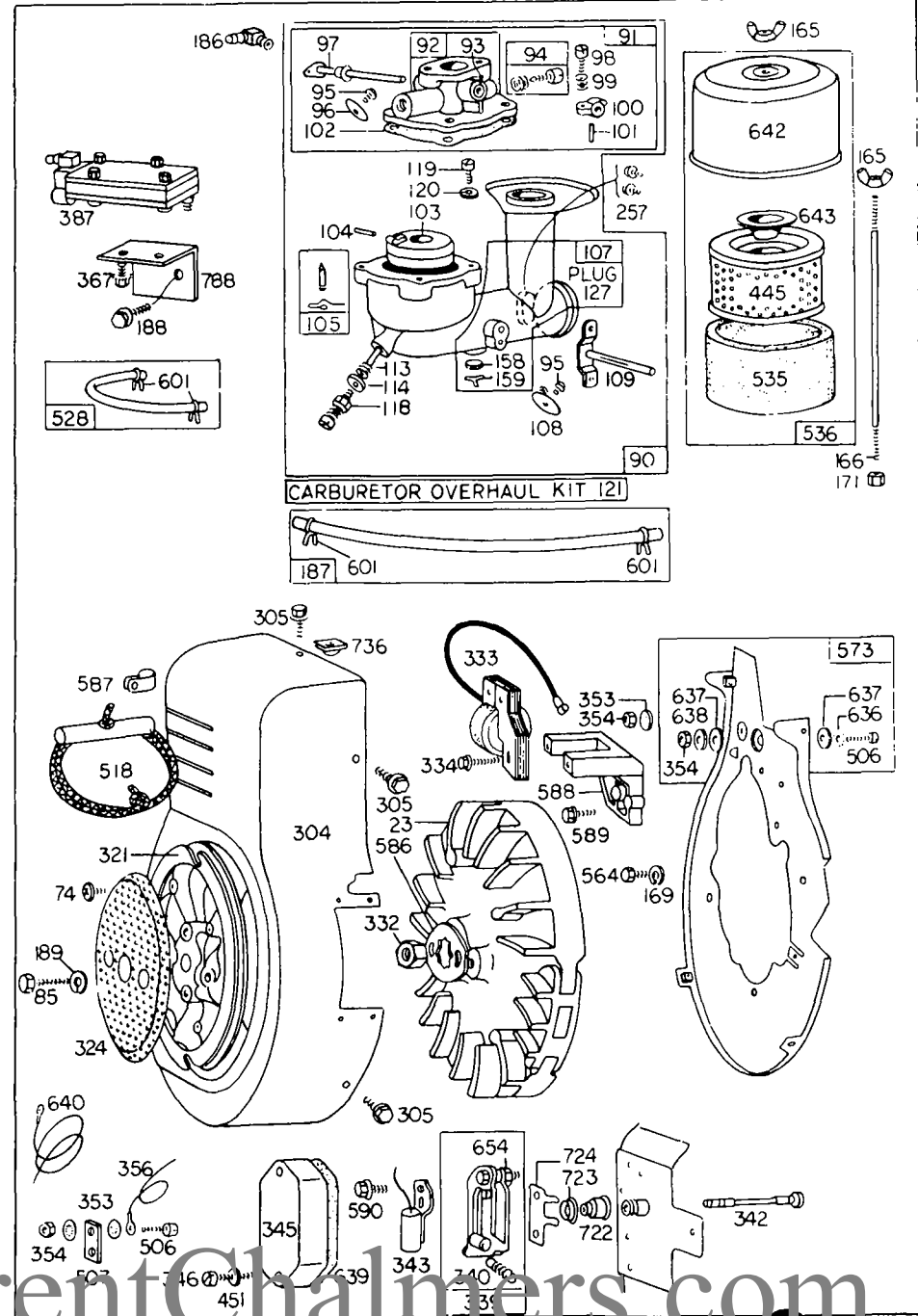
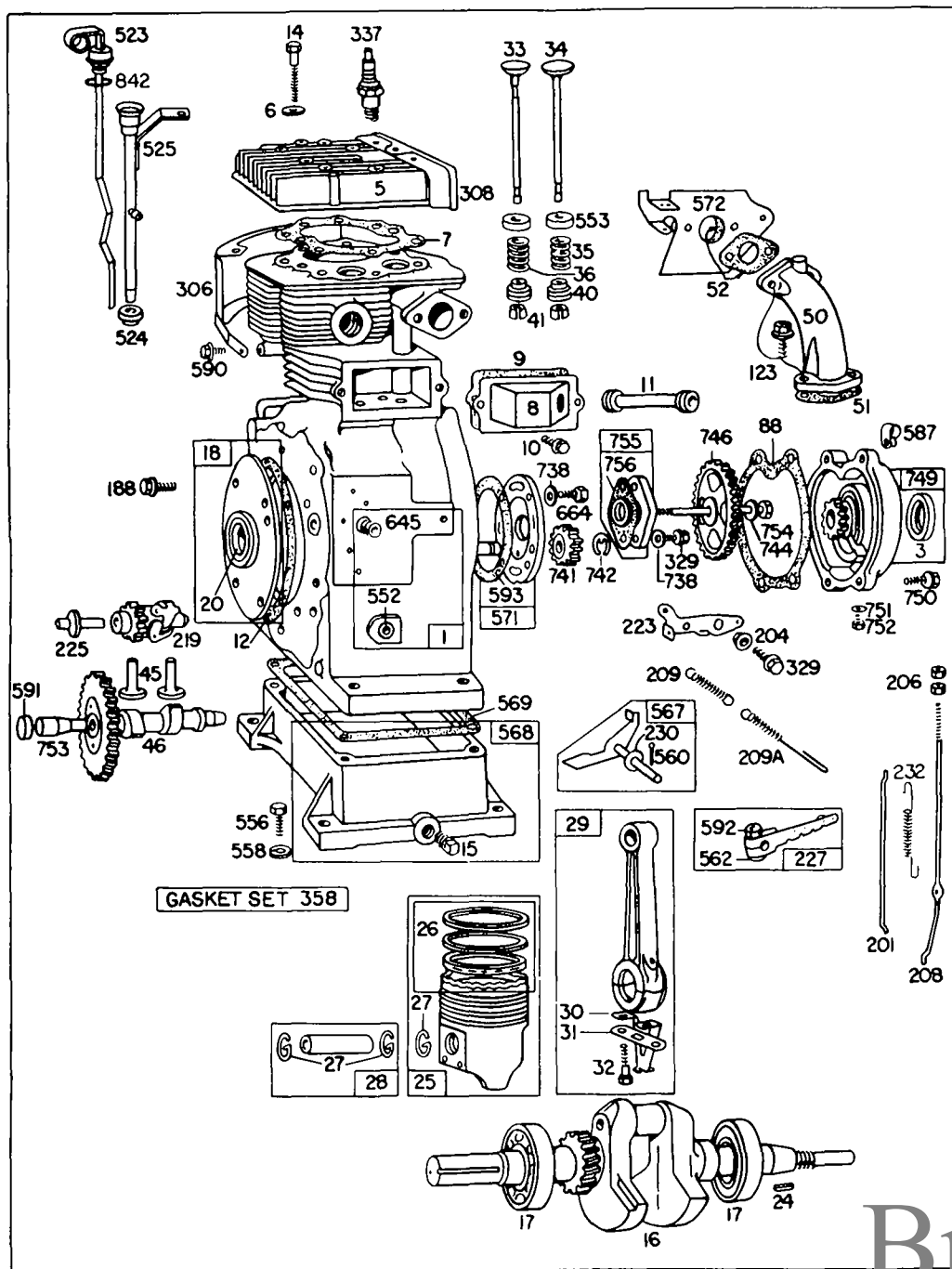


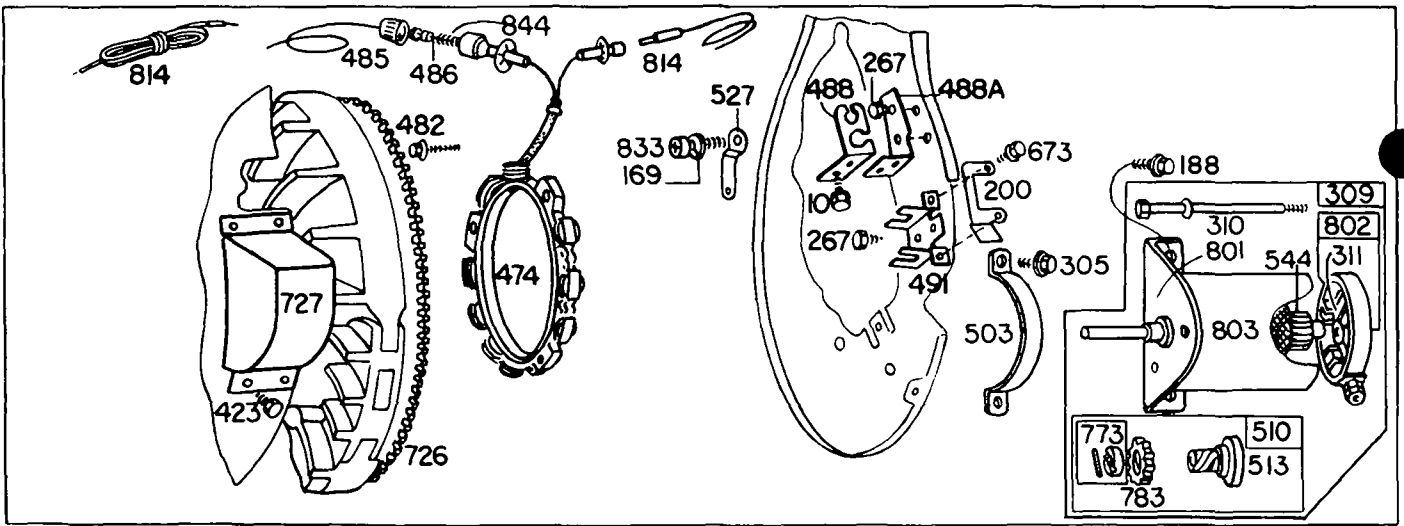
GRAVELY LANE
CLEMMONS, N. C. 27012

Form No. 16268L1 (6-75)

PRINTED IN U S A

BrentChalmers.com





ITEM NO.	PART NO.	DESCRIPTION			
1	392096	Cylinder Assembly (Includes Piston and Ring Assembly)	45	26670	Lappet-Valve
3	299609	Seal-Oil	46	211794	Gear-Cam
5	211889	Head-Cylinder	50	211589	Elbow-Carburetor Intake
6	22963	Washer-Cylinder Hd.	51	**270267	Gasket-Intake Elbow
7	*270662	Gasket-Cylinder Hd.	52	*27381	Gasket-Intake Elbow Mounting
8	299328	Breather	74	93521	Screw-Rotating Screen Mounting
9	*27803	Gasket-Valve Cover	85	91386	Screw-Fan Pulley Mounting
10	93394	Screw-Sem	88	270449	Gasket-Gear Case Cover
11	68818	Tube-Breather	90	391068	Carburetor Assembly
12	270789	Gasket-Cover	91	391067	Body Assembly-Upper Carburetor
14	92674	Screw-Cylinder Head-2-7/16" Long (9)	92	390998	Body-Upper Carburetor
15	91084	Plug-Pipe-3/8"	93	23108	Bushing-Throttle Shaft
16	261223	Crankshaft	94	**292681	Valve Assembly-Carburetor Idle
17	291667	Bearing-Ball	95	93499	Screw-Choke and Throttle Valve Mtg. Sem
18	291710	Cover Assembly-Crankcase	96	221939	Valve-Throttle
20	291675	Seal-Oil	97	298535	Shaft Assembly-Throttle
23	391363	Flywheel Assembly	98	91920	Screw-Machine, Fill. Hd.-8-32 x 5/8"
24	61760	Key-Flywheel	99	26157	Spring-Throttle Adjustment
25	390364	Piston Assembly-Standard	100	61967	Stop-Throttle
	390365	Piston Assembly-.010" O. S.	101	93043	Pin-Throttle Lever
	390366	Piston Assembly-.020" O. S.	102	**270268	Gasket-Carburetor Body
	390367	Piston Assembly-.030" O. S.	103	298514	Float-Carburetor
		PISTON RING SETS	104	**230896	Pin-Float Hinge
		Note: For Chrome Piston Ring Set-	105	**299096	Valve-Fuel Inlet
		Standard Size-order Part No. 390679.	107	391069	Body Assembly-Lower Carburetor
26	390484	Ring Set-Piston-Std.	108	390936	Valve-Choke
		Consists of:	109	298622	Shaft and Lever-Choke
		211807 Ring-Piston, Comp., Top, Stand.	113	**390950	Nozzle-Carburetor
		211808 Ring-Piston, Comp., Center, Std.	114	**68667	Gasket-Nozzle
		390485 Ring-Piston, Oil, Std. (w/expander)	118	**99525	Valve Assembly-Needle
	390486	Ring Set-Piston-.010" O. S.	119	90746	Screw-Machine, Fill. Hd.-10-32 x 5/8"
		Consists of:	120	92290	Washer-Lock-No. 10 x 1/16 x 3/64"
		211822 Ring-Piston, Comp., Top, .010" O. S.	121	391071	Carburetor Overhaul Kit
		211823 Ring-Piston, Comp., Center, .010" O. S.	123	93357	Screw-Hex. Hd.
		390487 Ring-Piston, Oil, .010" O. S. (w/expander)	127	**221747	Plug-Welch
	390505	Ring Set-Piston-.020" O. S.	158	27590	Filter-Carburetor Drain
		Consists of:	159	220521	Retainer-Carburetor Drain Filter
		211825 Ring-Piston, Comp., Top, .020" O. S.	165	93453	Nut-Wing (2)
		211826 Ring-Piston, Comp., Center, .020" O. S.	166	231007	Stud-Air Cleaner
		390506 Ring-Piston, Oil, .020" O. S. (w/expander)	169	90832	Washer-Lock-1/4 x 3/32 x 5/64"
	390507	Ring Set-Piston-.030" O. S.	171	92129	Nut-Hex.-1/4-28
		Consists of:	186	67218	Connector-Fuel Pipe
		211828 Ring-Piston, Comp., Top, .030" O. S.	187	299146	Pipe-Fuel
		211829 Ring-Piston, Comp., Center .030" O. S.	188	93535	Screw Sem
		390508 Ring-Piston, Oil, .030" O. S. (w/expander)	189	90366	Washer-Lock-5/16 x 1/8 x 1/16"
27	260924	Lock-Piston Pin	200	222445	Deflector-Air
28	299691	Pin Assembly-Piston-Standard	201	260923	Link-Throttle
29	299632	Rod Assembly-Connecting Note: For Connecting Rod with .020" undersize Crankpin Bore-order No. 390306.	204	23849	Bushing-Control Lever
30	221777	Dipper-Conn. Rod	206	93422	Nut-Governor Adjusting
31	221776	Lock-Conn. Rod Screw	208	230040	Rod-Governor Control
32	230907	Screw-Conn. Rod	209	260815	Spring-Governor (2" long)
33	261207	Valve-Exhaust	209A	260816	Spring-Governor (2-1/2" long)
34	261206	Valve-Intake	219	291192	Gear Assembly-Governor
35	26828	Spring-Intake Valve	223	22814	Lever-Gov. Control
36	26828	Spring-Exhaust Valve	225	291177	Shaft-Governor Gear
40	292260	Rotocoil-Exhaust and Intake Valve	227	298399	Lever Assembly-Governor
41	68283	Collar-Valve Spring Retainer	230	22826	Washer-Flat
			232	260478	Spring-Throttle Link
			257	93543	Screw-Casing Clamp
			267	93612	Screw-Sheet Metal (5)
			304	391229	Housing-Blower
			305	93158	Screw-Sem
			306	299536	Shield-Cylinder
			308	21153	Cover-Cylinder Head
			309	39176	Motor Starting
			10	39190	Thru Bolt Assembly
			311	39191	Brush Set
			321	211555	Fan and V-Belt Pulley

324	221851	Screen—Rotating	726	391362	Gear—Flywheel Ring (includes mtg. parts)
329	93294	Screw—Sem	727	391238	Cover—Starter
332	230674	Nut—Flywheel	738	221944	Washer—Flat
333	298968	Armature Assembly	741	390937	Gear Assembly—Idler
334	93381	Screw—Armature to Mounting Bracket Sem	742	93525	Retainer—E-Ring
337	298809	Plug—Spark	744	93526	Washer—Belleville
		Note: Spark Plugs 298809, use Ignitron Cable	746	211927	Gear—Drive
		Terminal No. 221798	749	391361	Cover Assembly—Mag. Side
339	298185	Breaker Assembly—Ignition	750	93587	Screw—Mag. Side Cover Mounting Sem
340	26018	Spring—Breaker Arm	751	22355	Washer—Flat
342	298125	Plunger—Contact	752	93554	Screw—Plug
343	298060	Condenser	753	231006	Shaft—Cam Gear
345	211327	Cover—Breaker	754	93528	Bolt—Cam Gear Shaft
346	93400	Screw—Breaker Cover Mounting Sem	755	299706	Bearing Assembly—Cam Gear
353	92791	Washer—Lock—Shakeproof	756	*270516	Shim—Cam Gear Bearing—.009" thick
354	90576	Nut—Hex.—8-32		*270517	Shim—Cam Gear Bearing—.007" thick
356	391115	Wire—Ground		*270518	Shim—Cam Gear Bearing—.005" thick
358	299719	Gasket Set	773	391462	Retainer & Pin Assembly
367	93380	Screw—Bracket to Pump	783	280104	Gear—Starter
387	390818	Pump—Impulse	788	222221	Bracket—Pump Mtg.
423	93410	Screw—Cover Mounting	801	392062	Drive End Bracket Assembly—Starter
445	390930	Cartridge—Air Cleaner	802	391172	Commutator End Cap Assembly—Starter
451	90364	Washer—Lock—No. 8 x 3/64 x 1/32"	803	391167	Housing Assembly—Starter
474	391520	Stator and Bracket—Alternator	814	390867	Wire Assembly—Alternator
482	93621	Screw—Sem	833	93743	Screw—Machine
485	390888	Knob Assembly—Fuse	842	270933	Seal—Oil Filler Cap
486	391507	Diode—Alternator	844	261269	Spring—Diode
488	222211	Bracket—Output			
488A	222345	Bracket—Output Bracket Mounting			
491	222344	Bracket—Rectifier			*Included in Gasket Set—Part No. 299719.
503	222331	Strap—Starter			
506	90072	Screw—Machine Fill. Hd.—8-32 x 5/8"			
507	66895	Insulator			**Included in Carburetor Overhaul Kit—Part No. 391071.
510	391461	Drive Assembly—Starter			
513	391135	Clutch Assembly—Starter			
518	69932	Rope—Starter			
523	390947	Cap and Dipstick—Oil Filler			
524	68838	Seal—Filler Pipe			
525	390945	Pipe—Oil Filler			
527	222192	Bracket—Alternator Harness			
528	391498	Pipe—Fuel			
535	270782	Element—Air Cleaner			
536	391063	Cleaner Assembly—Air			
544	391160	Armature Assembly—Starter			
552	23837	Bushing—Governor Crank			
553	62222	Cup—Valve Spring			
556	90887	Screw—Cap, Hex. Hd.—3/8-16 x 1-1/4"			
558	92268	Washer—Lock 3/8 x 1/8 x 3/32"			
560	91984	Pin—Cotter—1/16 x 1/2" long			
562	92613	Bolt—Governor Lever			
564	92980	Screw—Cap, Hex. Hd.—1/4-20 x 1/2			
567	291364	Crank Assembly—Governor			
568	391165	Base Assembly—Engine			
569	*27351	Gasket—Engine Base			
571	299705	Support Assembly—Bearing (Mag. Side)			
572	291871	Guide—Front Air			
573	391220	Plate—Back			
586	22906	Lock—Flywheel Nut			
587	220509	Clamp—Cable			
588	211976	Bracket—Armature Mtg.			
589	93473	Screw—Armature Bracket to Cylinder Mounting Sem			
		Screw—Sem			
590	93171	Plug—Cam Shaft			
591	222251	Nut—Hex.—10-24			
592	231082	Shim—Mag. Side Bearing Support—.015" thick			
593	*270513	Shim—Mag. Side Bearing Support—.010" thick			
	*270514	Shim—Mag. Side Bearing Support—.005" thick			
	*270515	Clamp—Fuel Pipe			
601	93053	Washer—Lock			
636	92864	Washer—Back Plate Term.			
637	66154	Washer—Back Plate Term.			
638	26404	Gasket—Breaker Cover			
639	*270176	Lead—Primary			
640	298141	Cover—Air Cleaner			
642	222271	Cup—Air Cleaner			
643	222272	Bushing—Plunger			
645	230775	Nut—Contact Point Adjusting Screw			
654	230783	Screw—Sem			
664	93415	Screw—Hex. Hd.			
673	93014	Seal—Plunger			
722	68768	Eyelet—Seal Retainer			
723	93516	Retainer—Plunger Seal			
724	221873				